

Fandominstitches.com Presents

# NOT ALL WHO WANDER ARE LOST BLOCK OF THE MONTH

*Not all who wander are lost, Block of the month is presented free of charge by Fandom in Stitches. These patterns are designed by fans, for fans and are not to be used for profit.*

Month 6 - Pattern 14

June 7, 2013

‘Isengard’

Designed by Lilja Björk Sigurdórsdóttir

<http://liljabs.com>

## Sewing Order

A>B>C

ABC>D

E>F

ABCD>EF

G>H

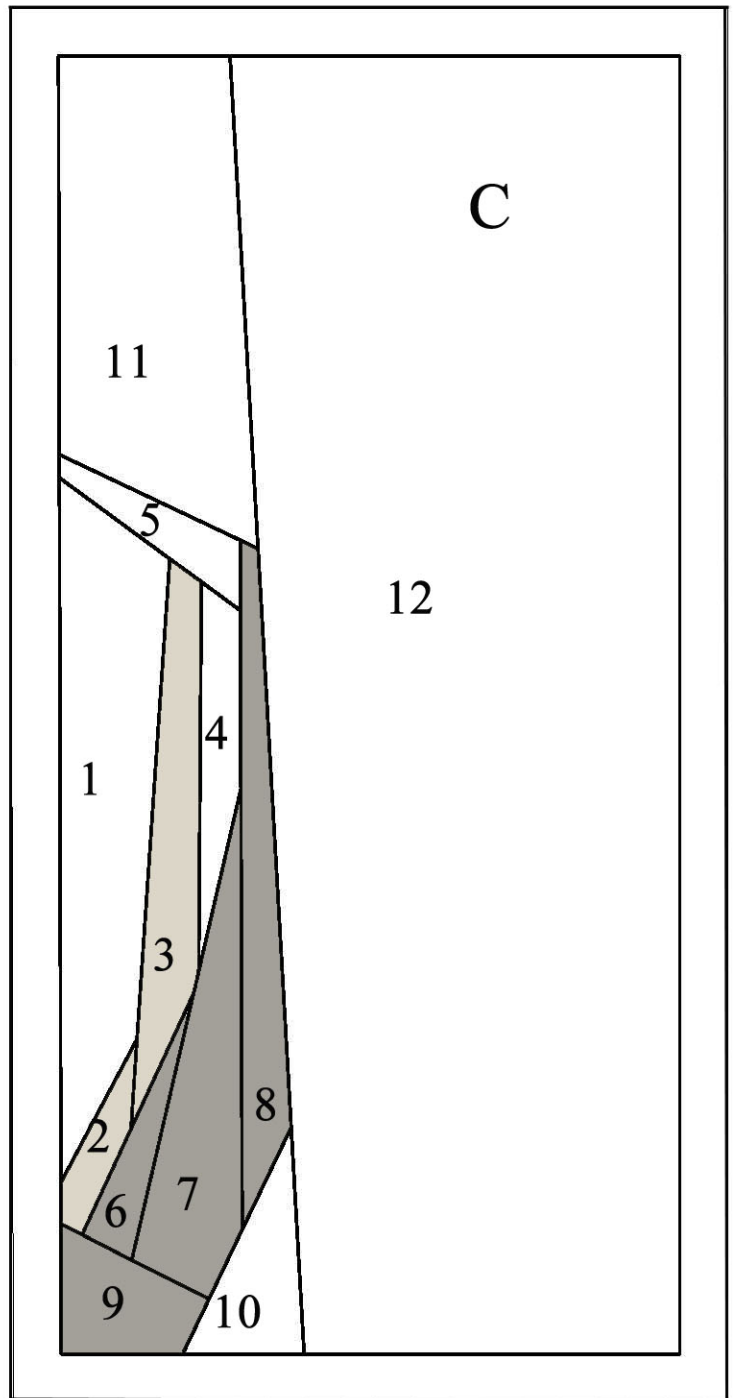
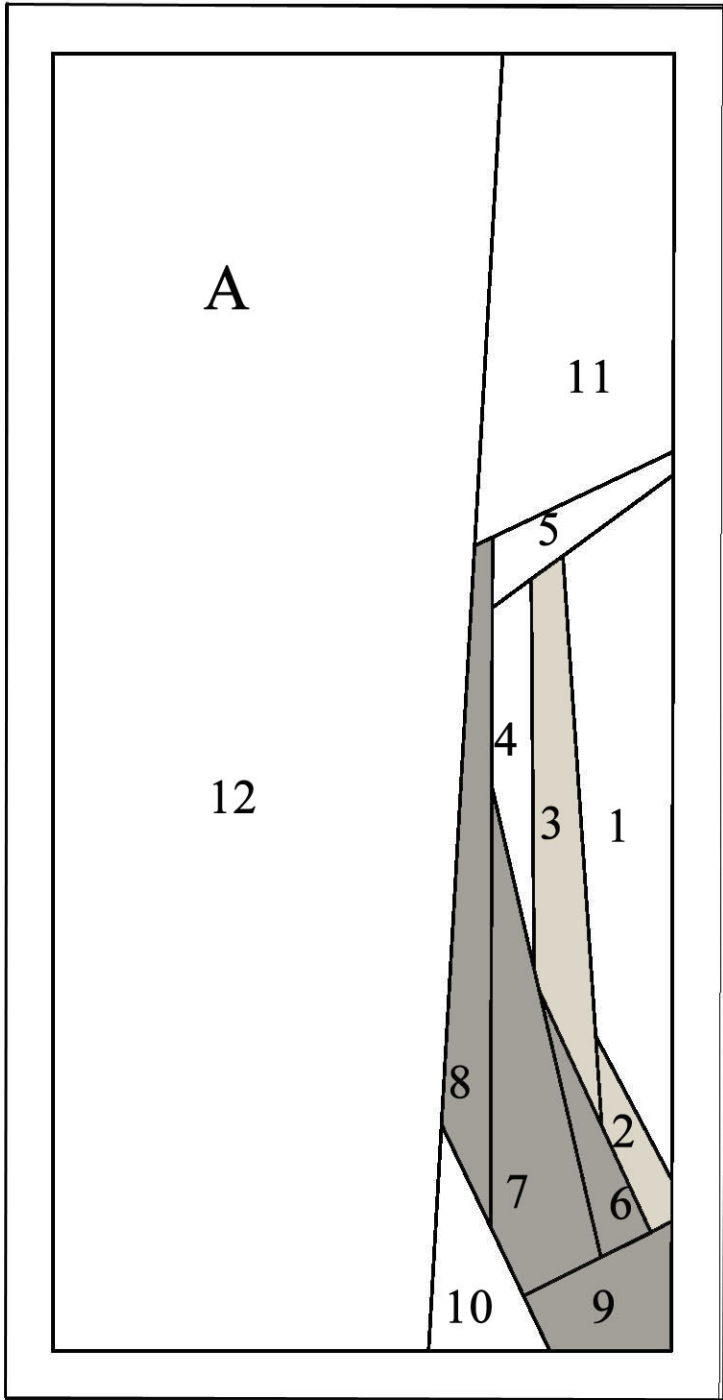
ABCDEF>GH

ABCDEFGH>I

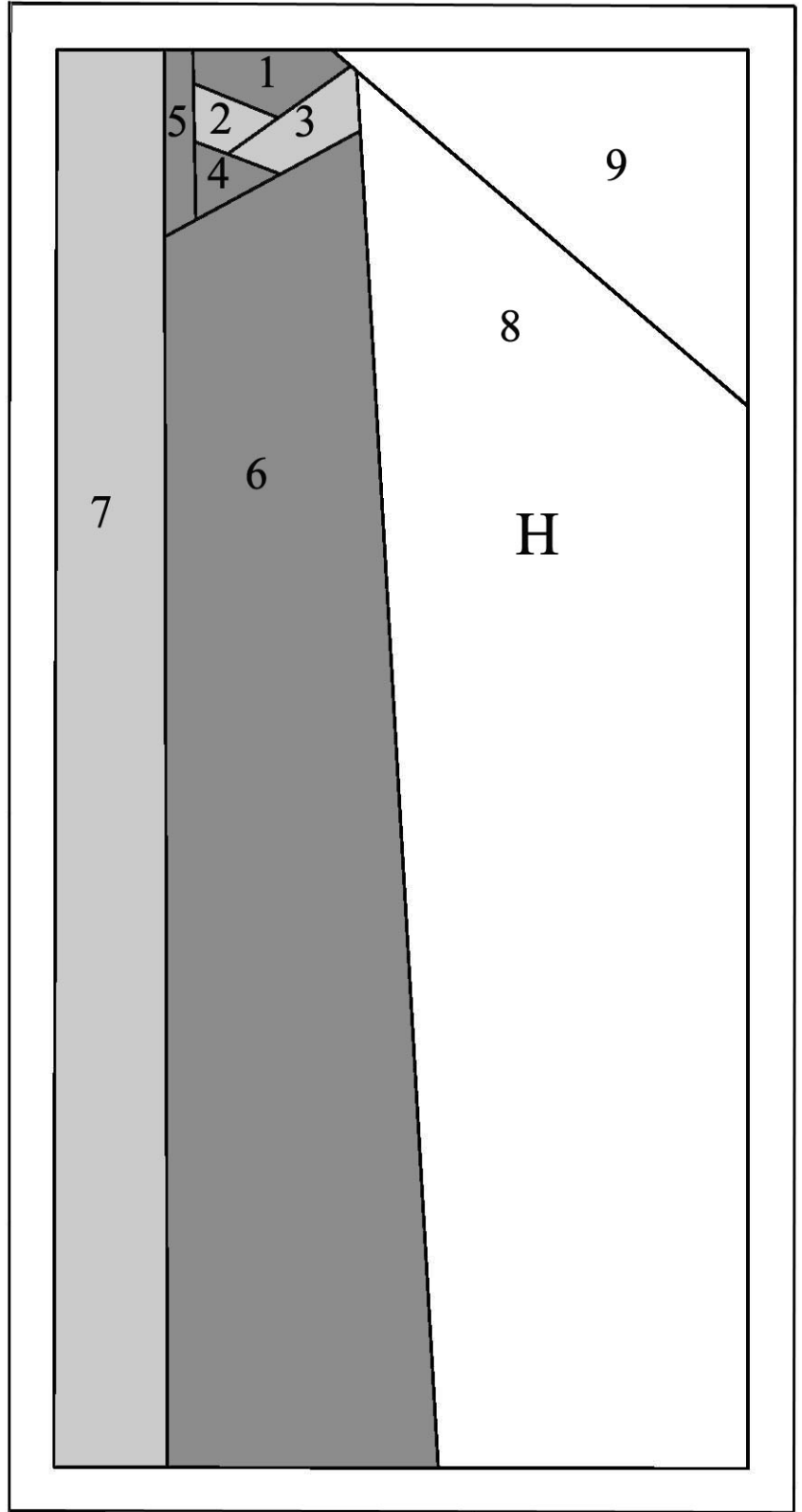
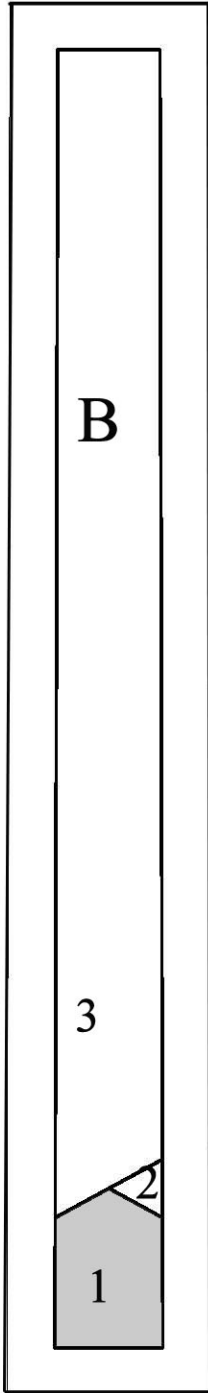
Please note: Each designer participating in *Not All who Wander Are Lost* has her own unique pattern style and each month's pattern is presented as the designer intended. At the end of *Not all who wander are lost, Fandom In Stitches* will provide a layout that will include each month's block. the finished size of each block and any special instructions will appear in the respective month's pattern.

Not all who wander are lost has been coordinated by Lilja Björk Sigurdórsdóttir, on behalf of Fandom in stitches

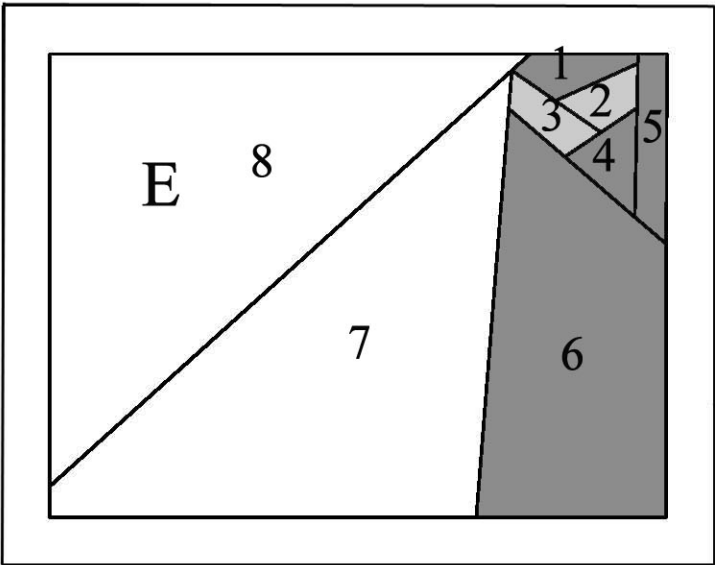
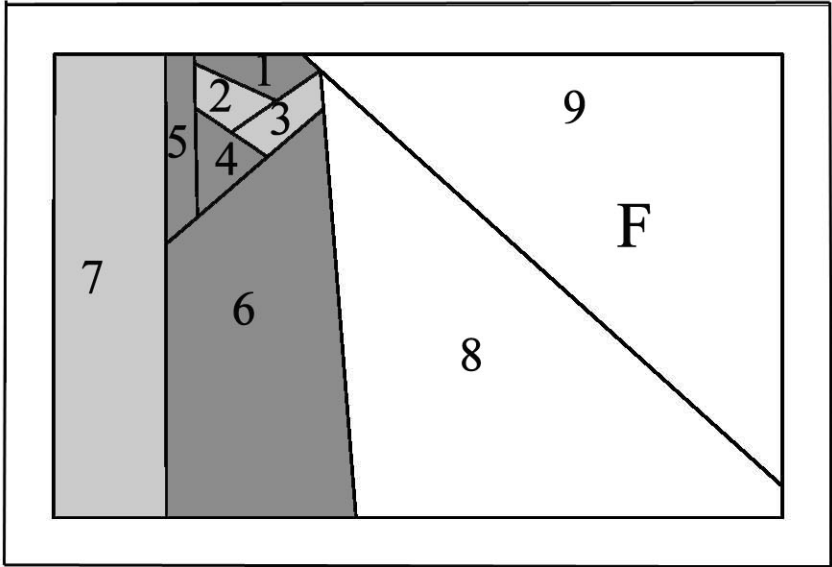
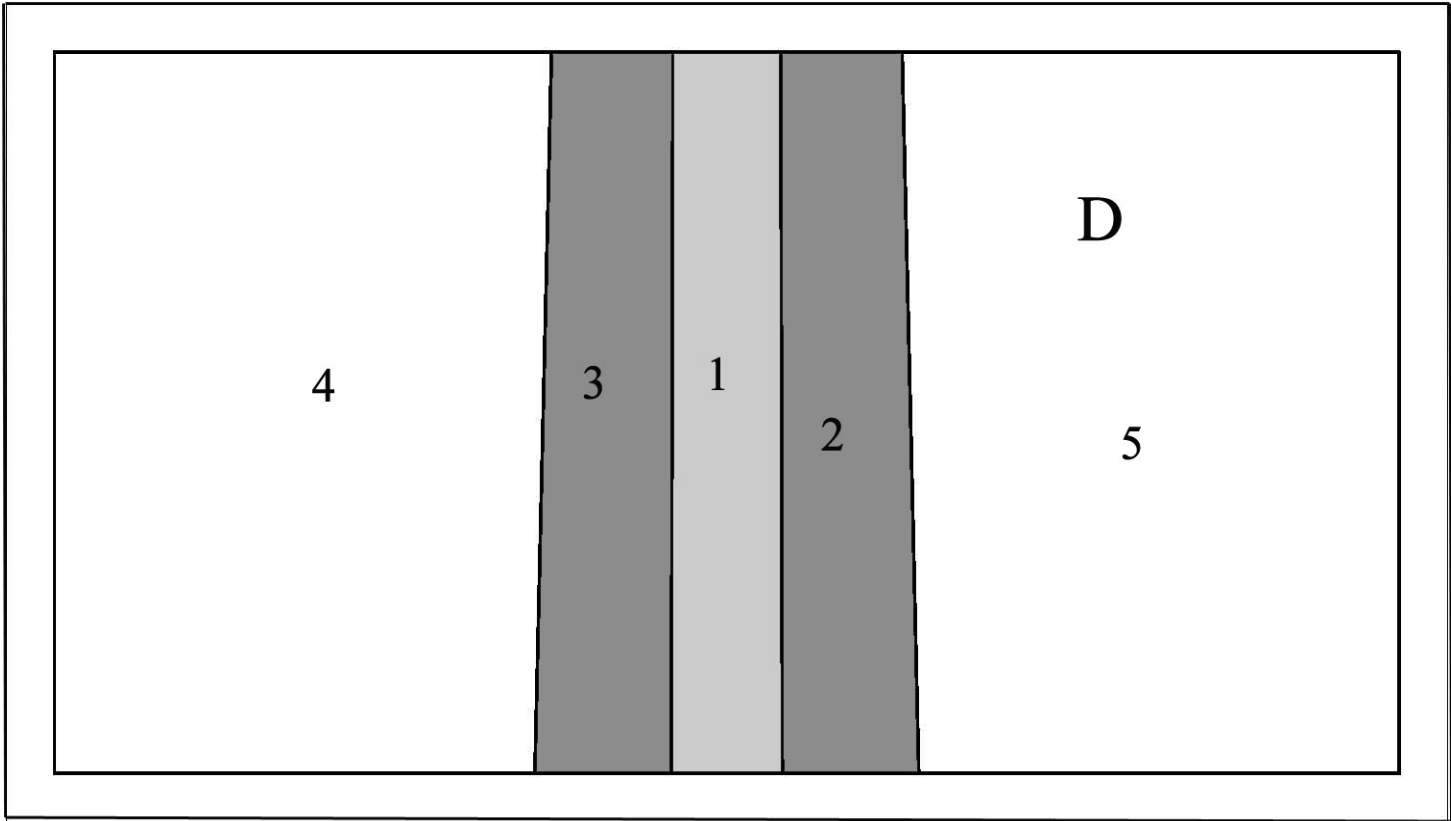
*downloaded from [fandominstitches.com](http://fandominstitches.com) ~ this pattern is free and is for NON-profit use only*



LB  
S

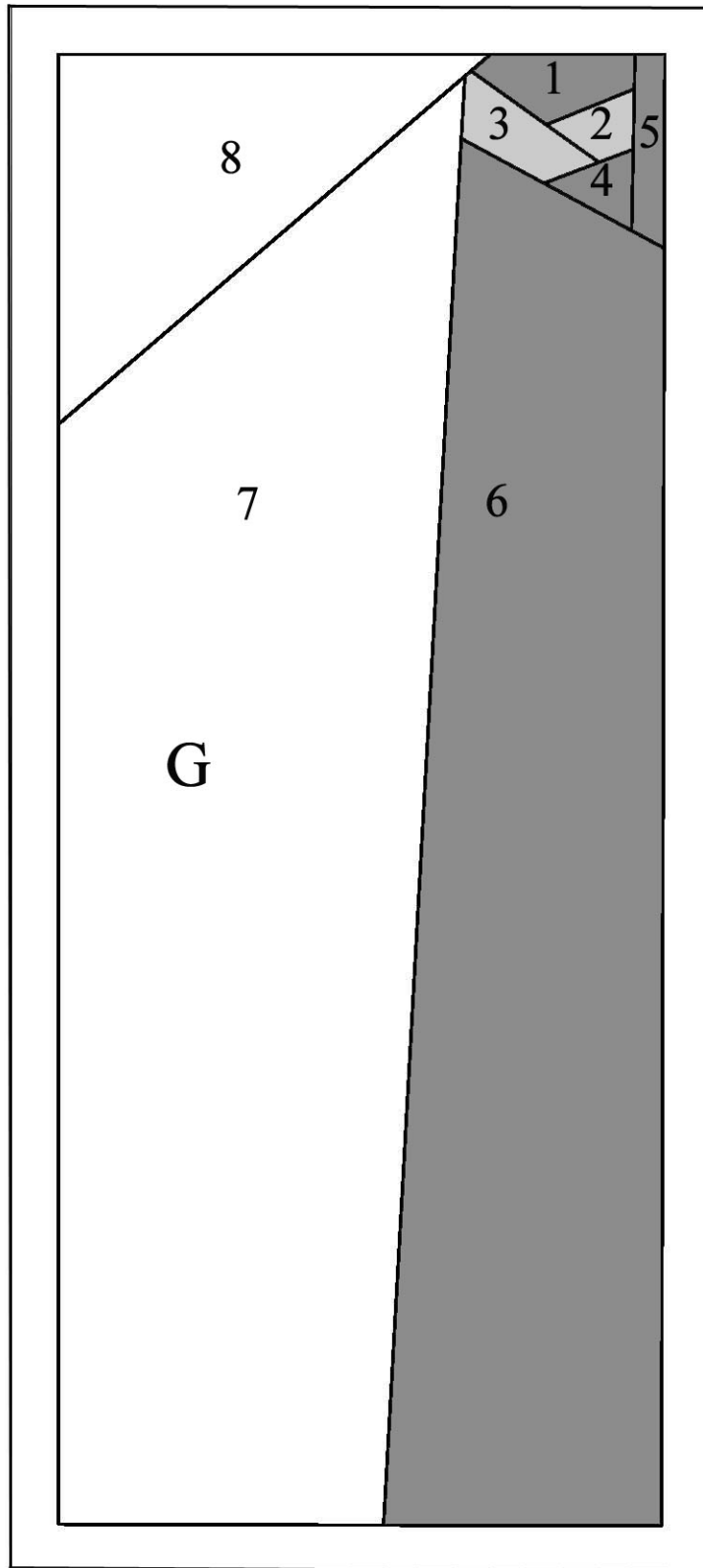


LB  
S



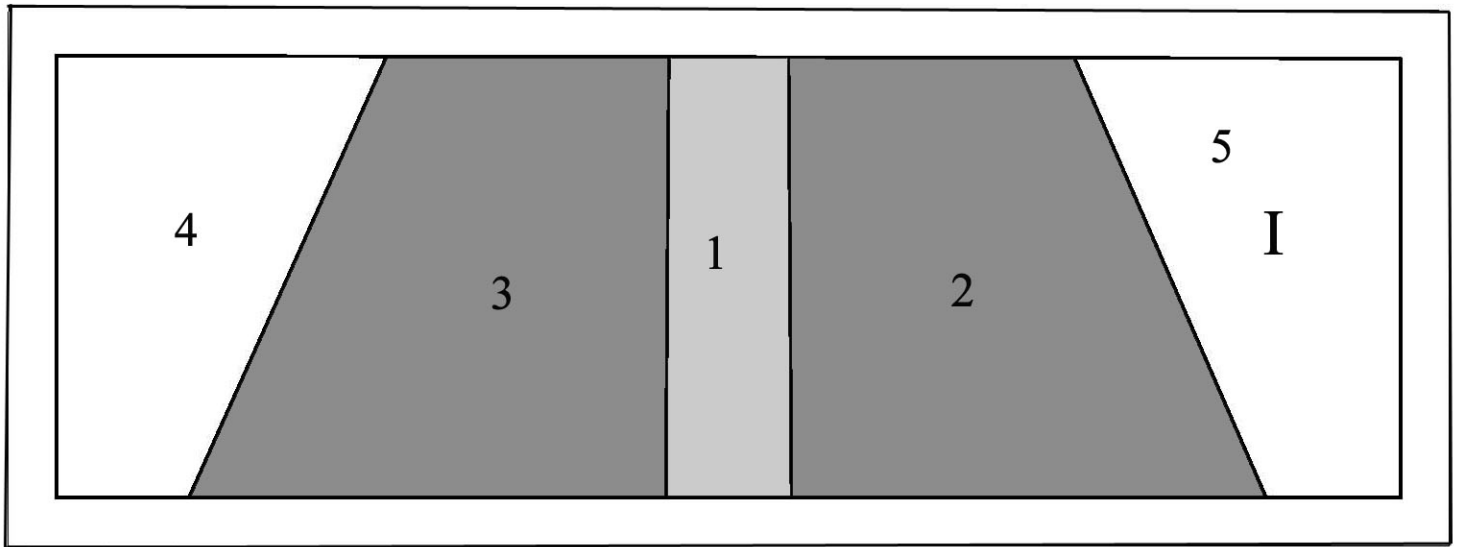
**LB**  
S

COPYRIGHT LILJA BJÖRK SIGURDÓRSDÓTTIR / LILJABS.  
ALL RIGHTS RESERVED.  
NOT FOR REPRODUCTION



LB  
SS

COPYRIGHT LILJA BJÖRK SIGURDÓRSDÓTTIR / LILJABS.  
ALL RIGHTS RESERVED.  
NOT FOR REPRODUCTION



LB  
S

COPYRIGHT LILJA BJÖRK SIGURDÓRSDÓTTIR / LILJABS.  
ALL RIGHTS RESERVED.  
NOT FOR REPRODUCTION