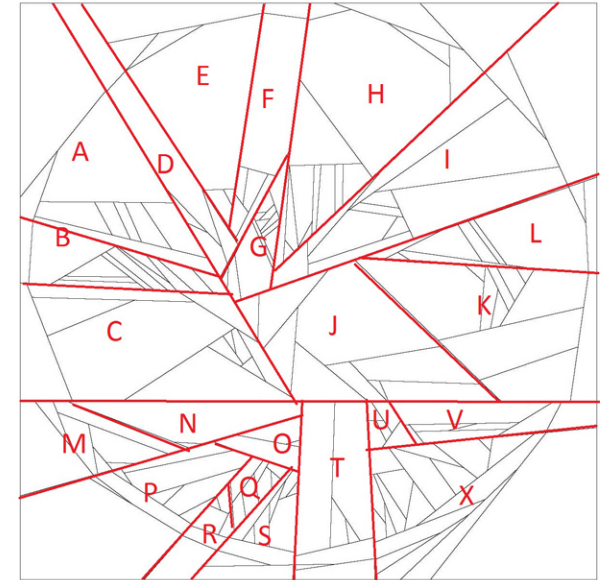


## Sewing Order



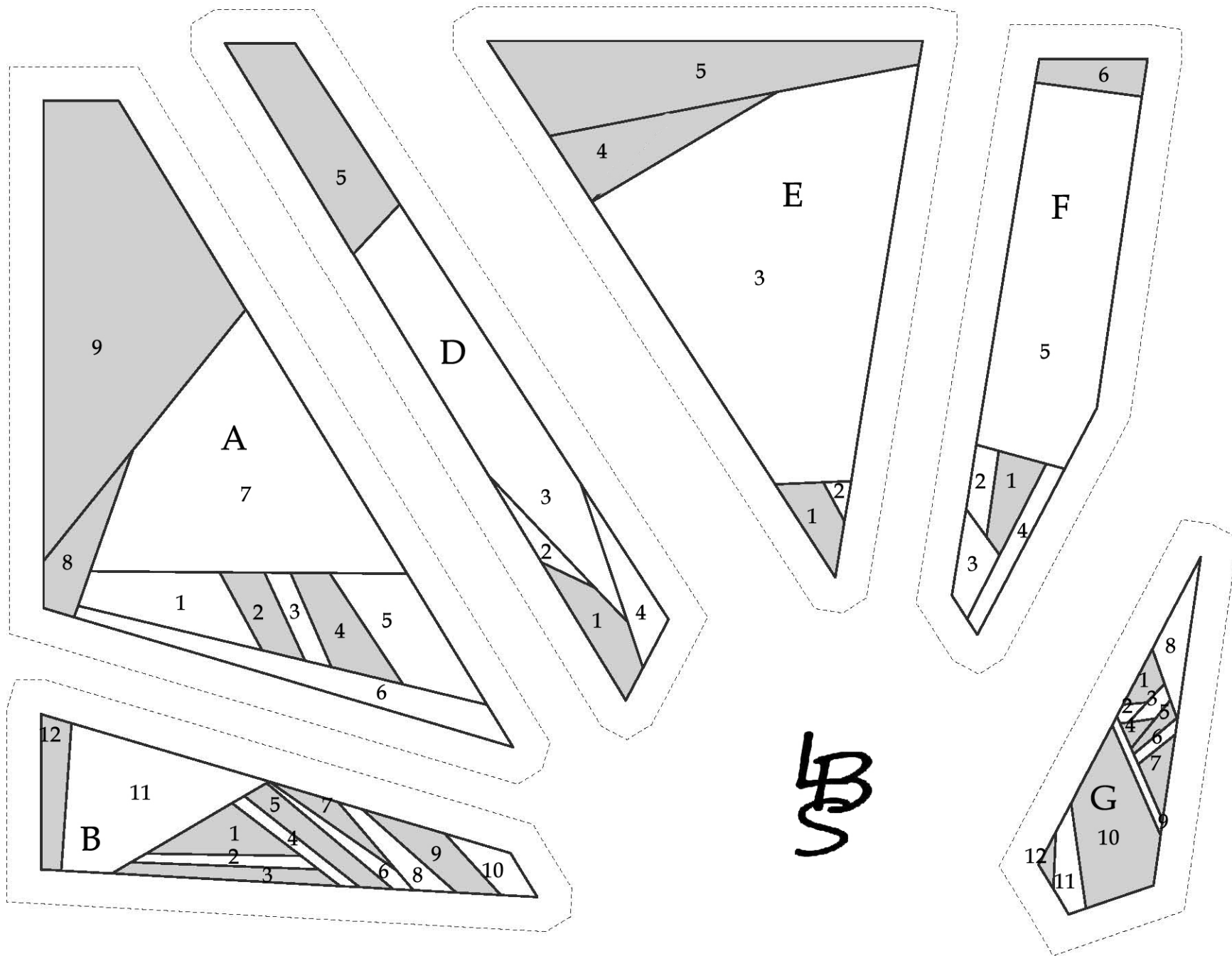
Front of Pattern

A-B-C  
E-F  
D-EF  
DEF-G  
H-I  
DEFG-HI  
J-K-L  
DEFGHI-JKL  
ABC-DEFGHIJKL  
M-N  
Q-R  
P-QR-S  
O-PQRS  
MN-OPQRS  
U-V  
UV-X  
MNOPQRS-T-UVX  
ABCDEFGHIJKL-MNOPQRSTUVX



Back of Pattern

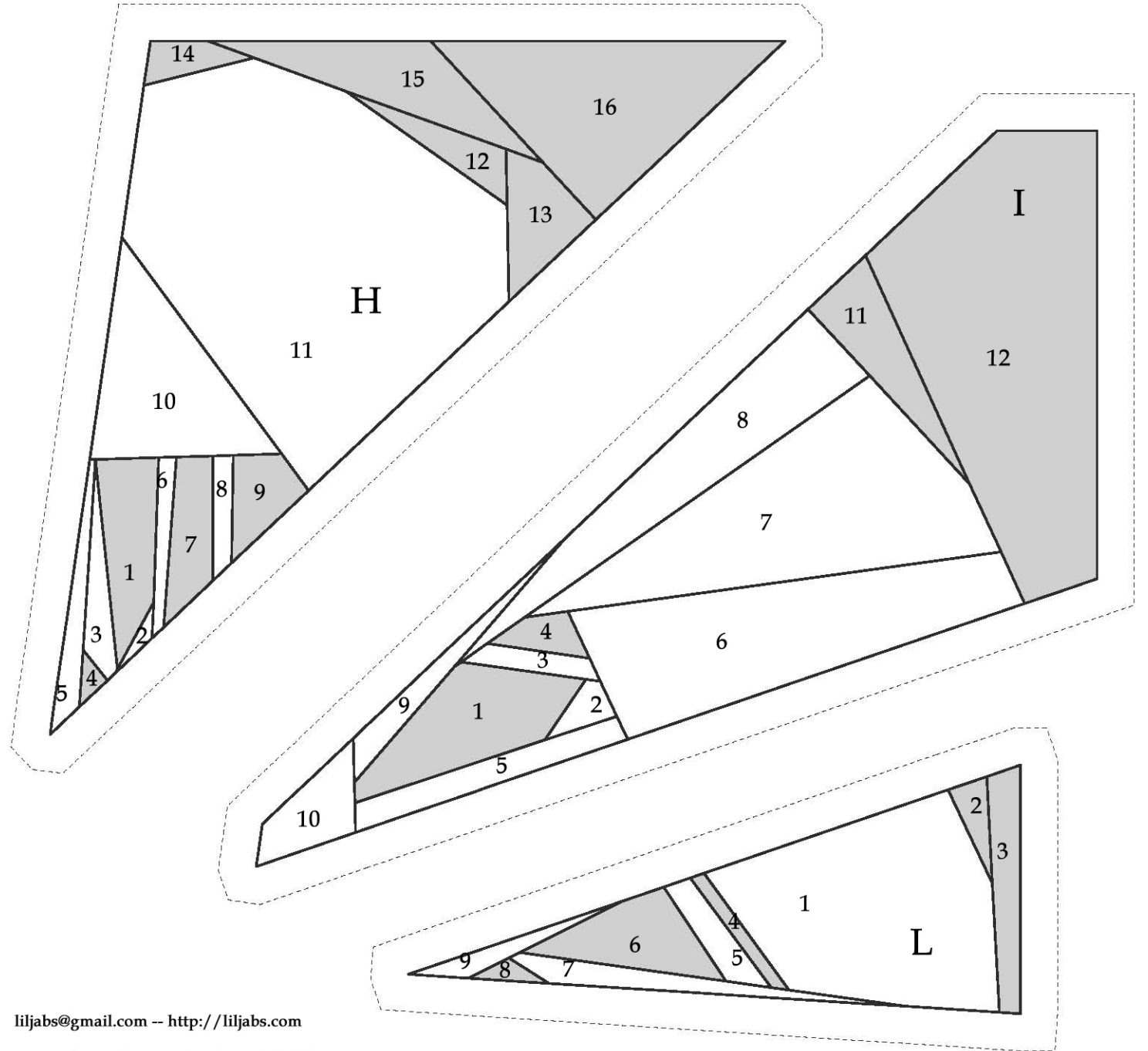
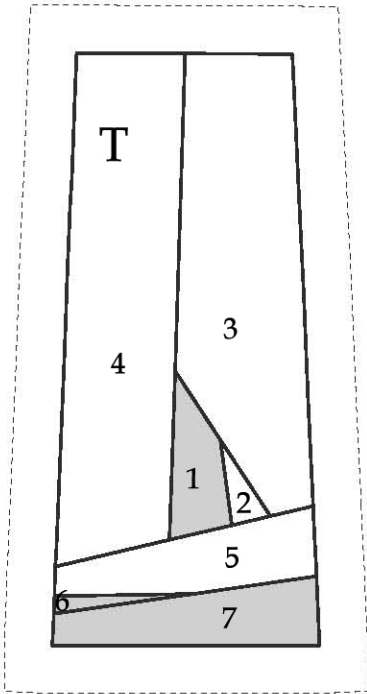
LB  
S



[liljabs@gmail.com](mailto:liljabs@gmail.com) -- <http://liljabs.com>

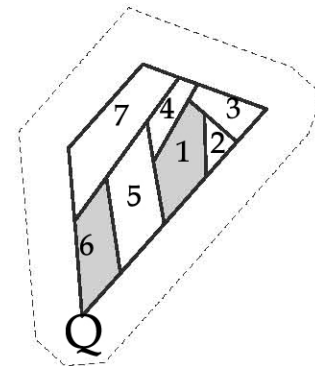
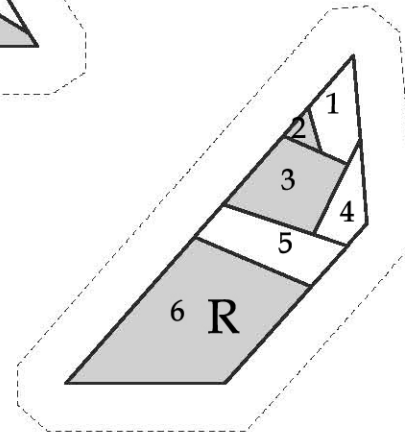
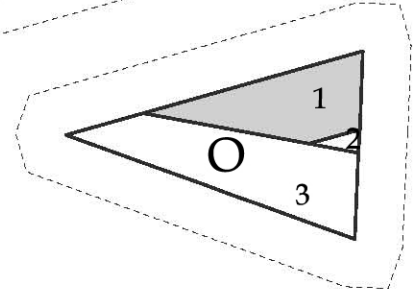
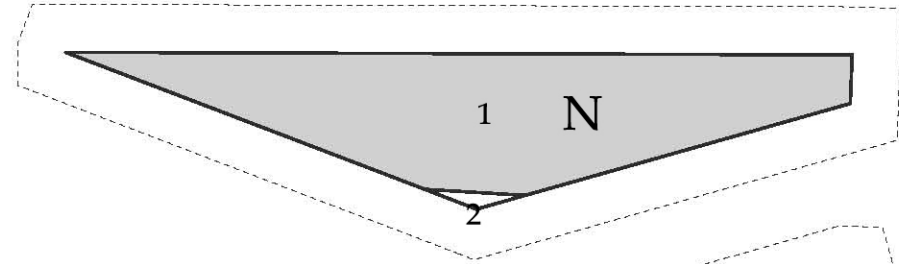
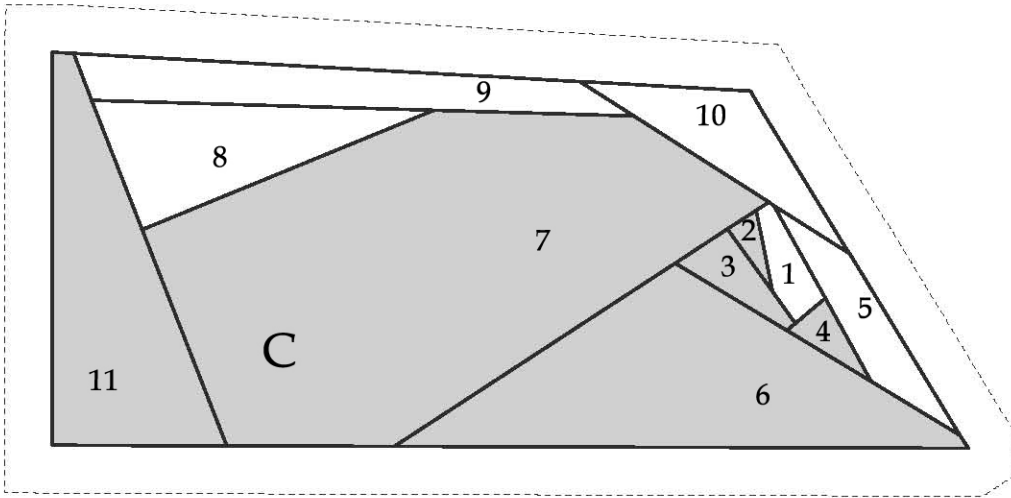
© 2014 Lilja Björk Sigurdórsdóttir (Liljabs)  
 For personal and non-profit use only --Not for Reproduction or resale

LB  
S

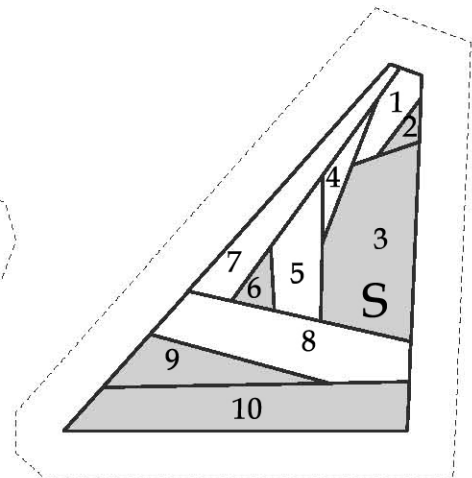
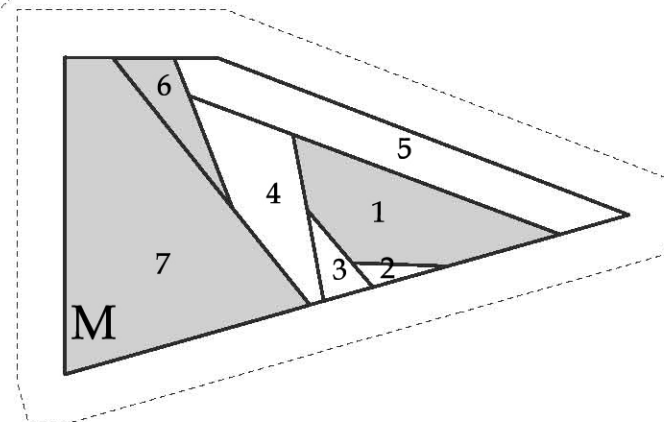
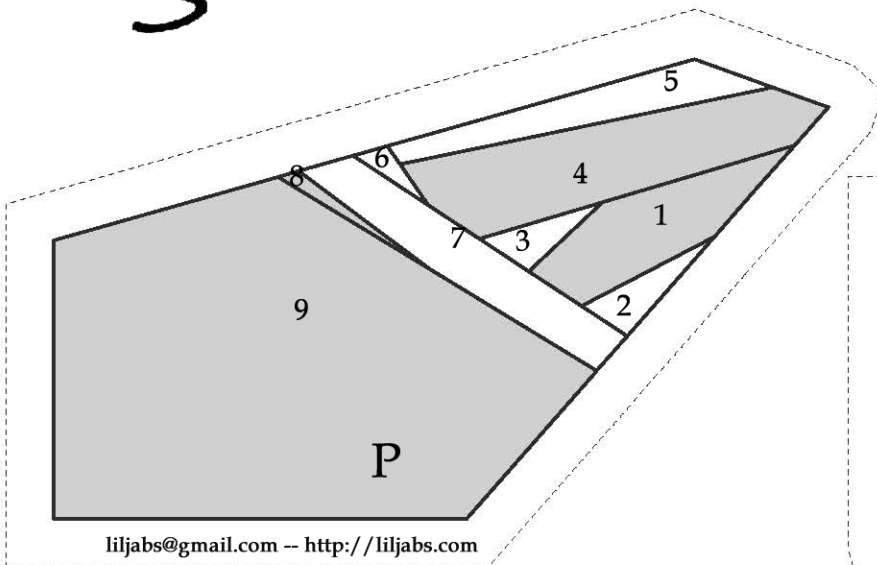


[liljabs@gmail.com](mailto:liljabs@gmail.com) -- <http://liljabs.com>

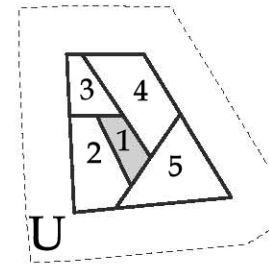
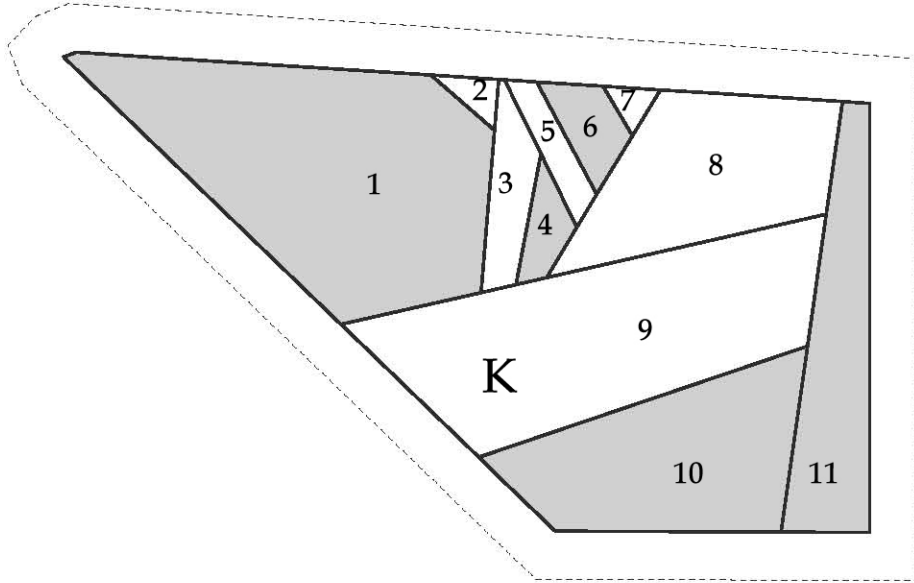
© 2014 Lilja Björk Sigurdórsdóttir (Liljabs)  
For personal and non-profit use only --Not for Reproduction or resale



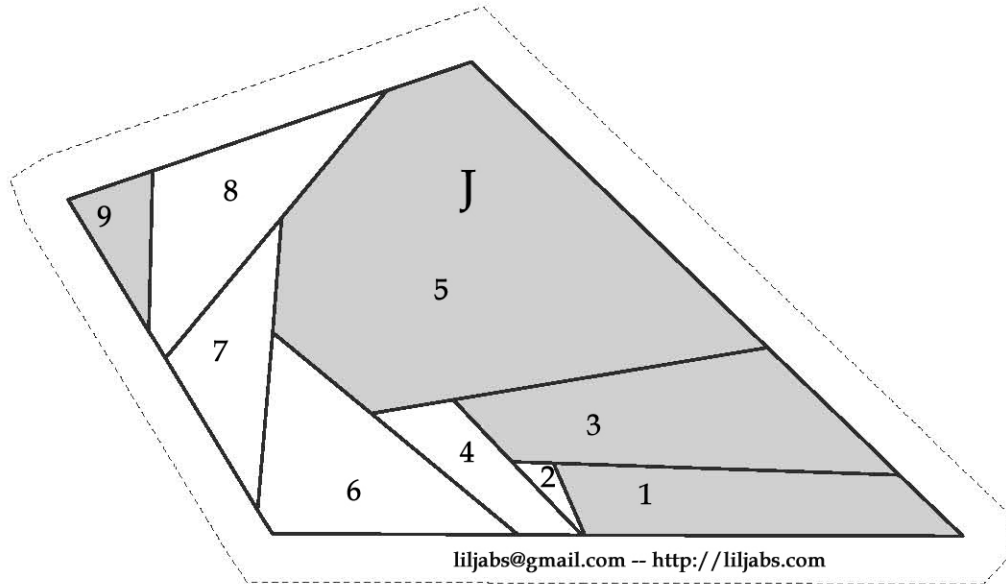
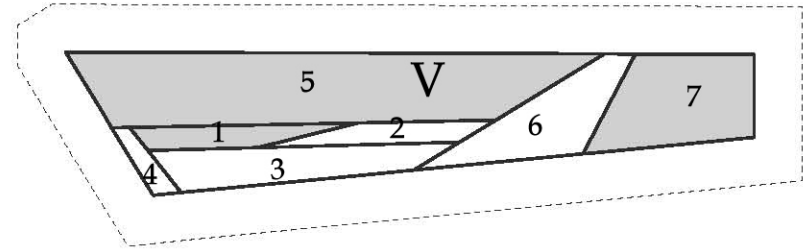
LB  
S



[liljabs@gmail.com](mailto:liljabs@gmail.com) -- <http://liljabs.com>



LB  
S



liljabs@gmail.com -- <http://liljabs.com>

