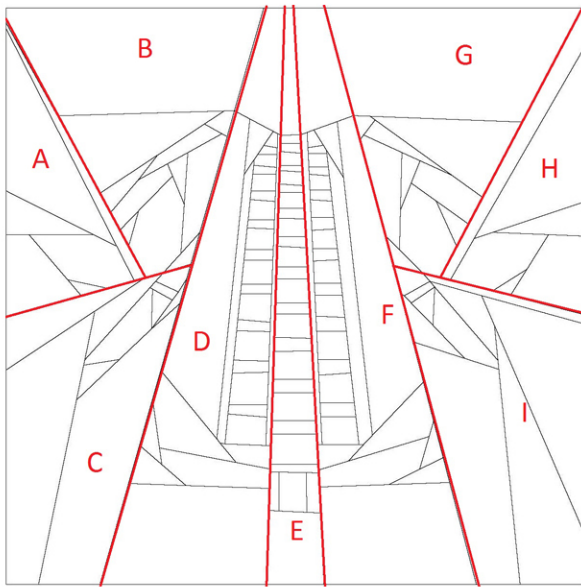


# District 11



Back of Pattern



Front of Pattern

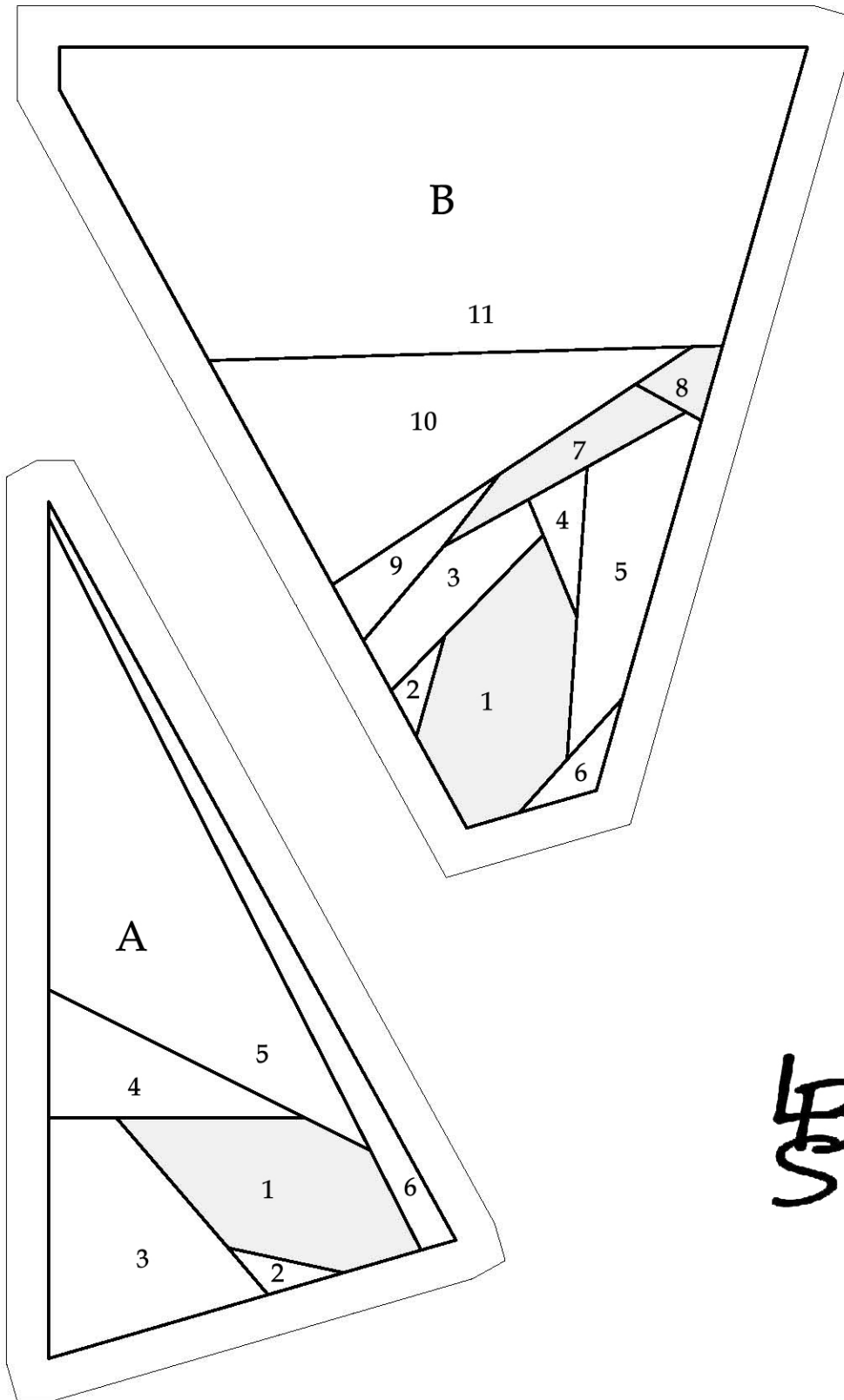
## Sewing Order

A>B  
AB>C  
D>E>F  
ABC>DEF  
G>H  
GH>I  
ABCDEF>GHI



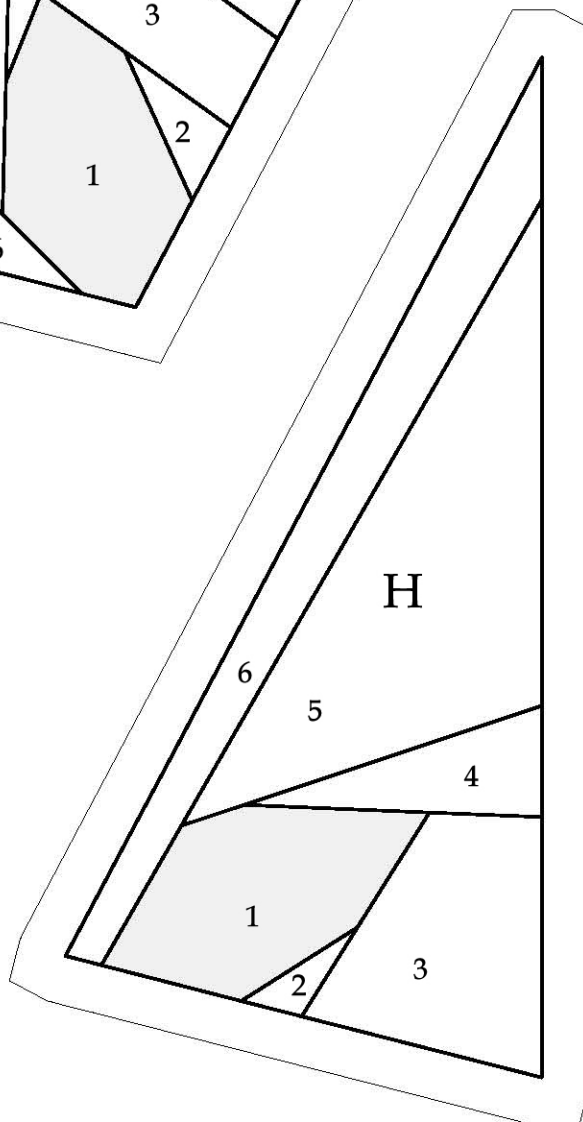
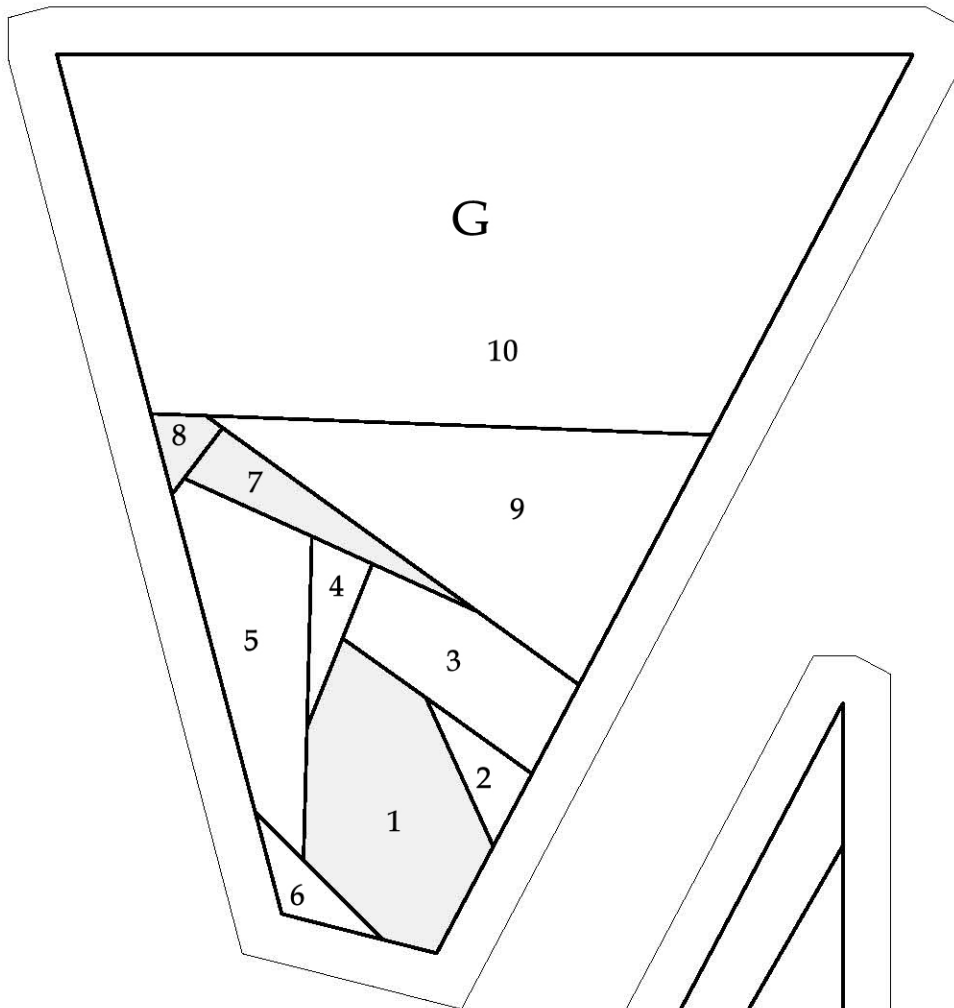
[liljabs@gmail.com](mailto:liljabs@gmail.com) -- <http://liljabs.com>

© 2014 Lilja Björk Sigurdórsdóttir (Liljabs)  
For personal and non-profit use only --Not for Reproduction or resale



[liljabs@gmail.com](mailto:liljabs@gmail.com) -- <http://liljabs.com>

© 2014 Lilja Björk Sigurdórsdóttir (Liljabs)  
For personal and non-profit use only --Not for Reproduction or resale

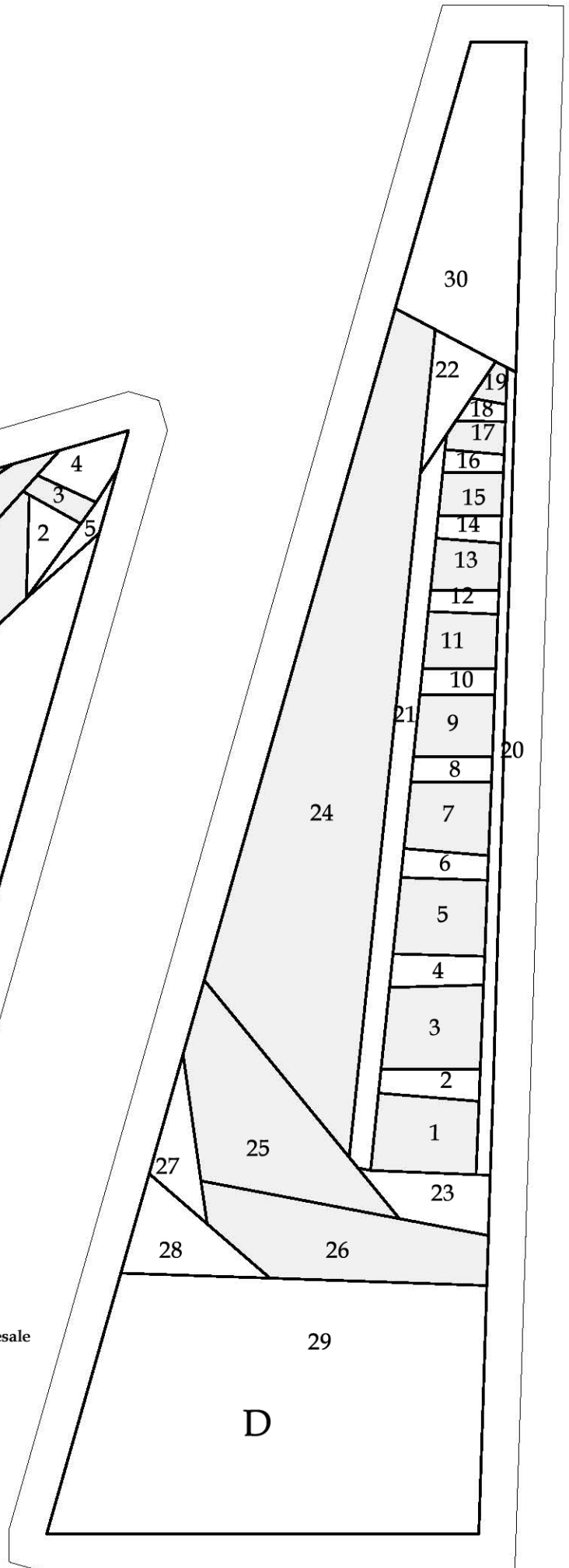
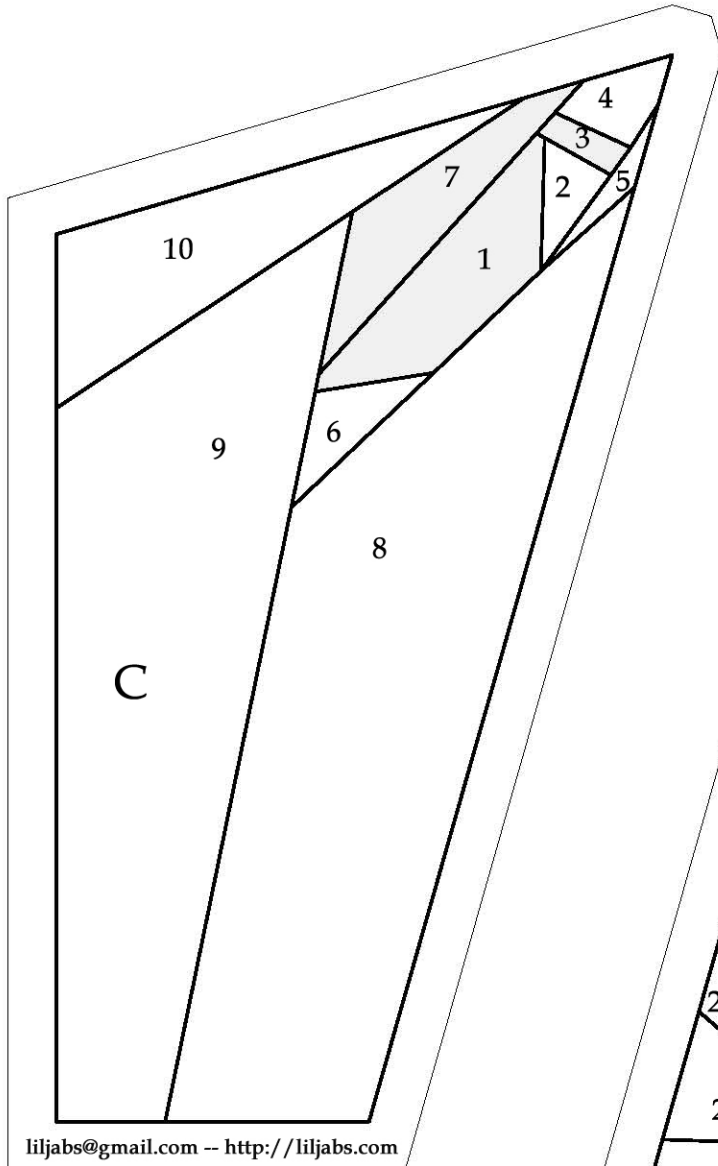


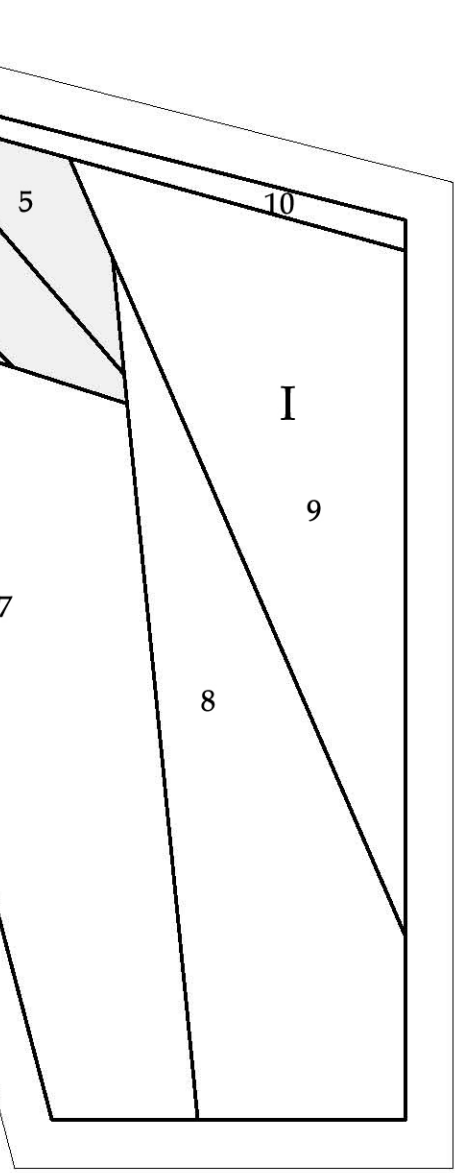
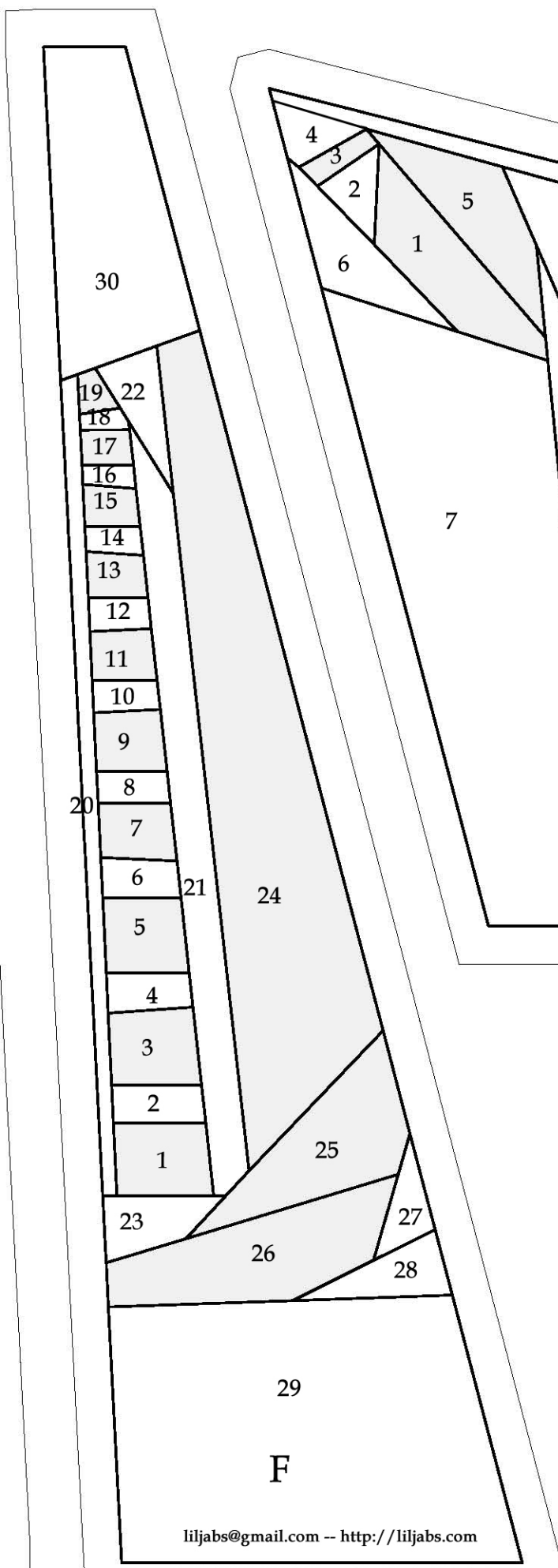
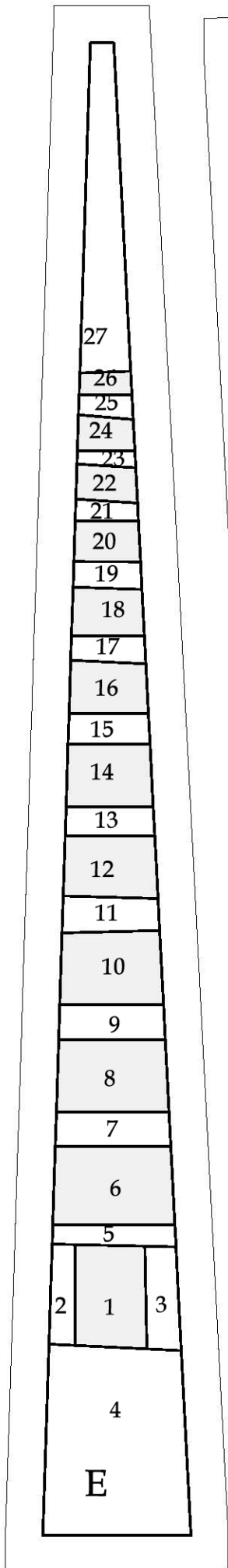
LB  
S

[liljabs@gmail.com](mailto:liljabs@gmail.com) -- <http://liljabs.com>

© 2014 Lilja Björk Sigurdórsdóttir (Liljabs)  
For personal and non-profit use only --Not for Reproduction or resale

LB  
S





LB  
S

liljabs@gmail.com -- <http://liljabs.com>