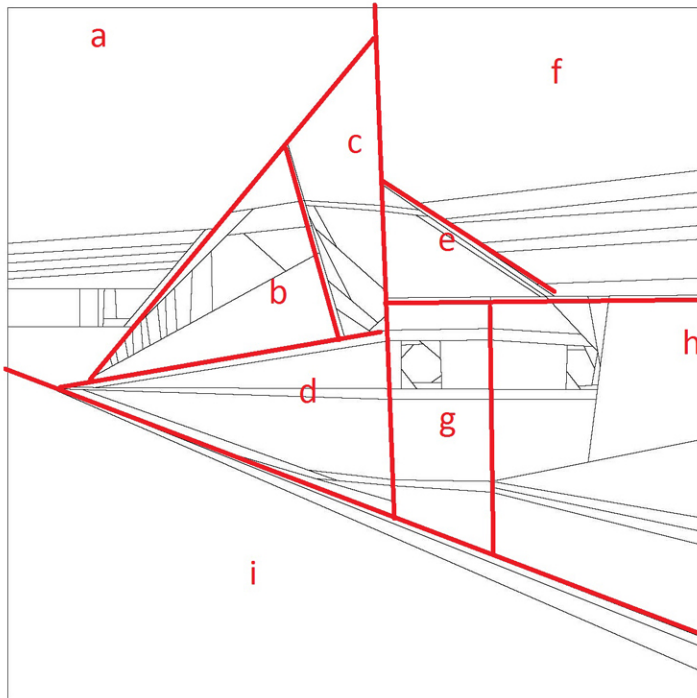


# District 6

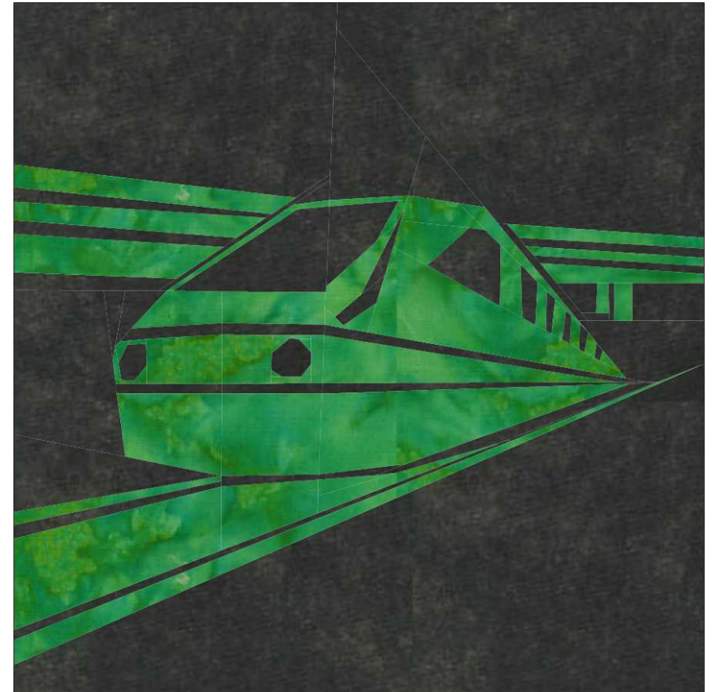
## Sewing Order

B>C  
A>BC  
ABC>D

E>F  
G>H  
ABCD>EFGH  
ABCDEFGH>I



Back of block

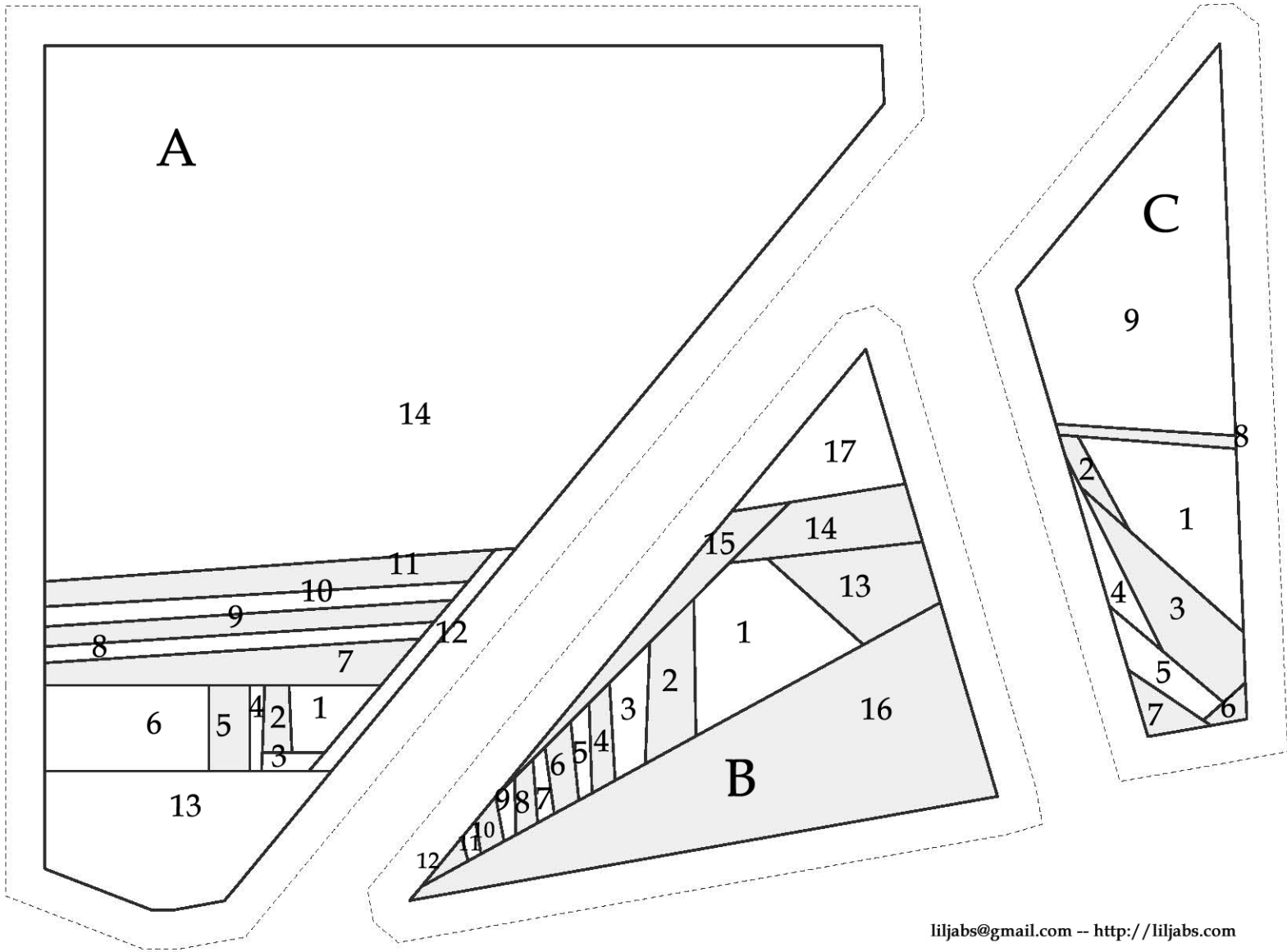


Front of block

LB  
S

[liljabs@gmail.com](mailto:liljabs@gmail.com) -- <http://liljabs.com>

© 2014 Lilja Björk Sigurdórsdóttir (Liljabs)  
For personal and non-profit use only --Not for Reproduction or resale

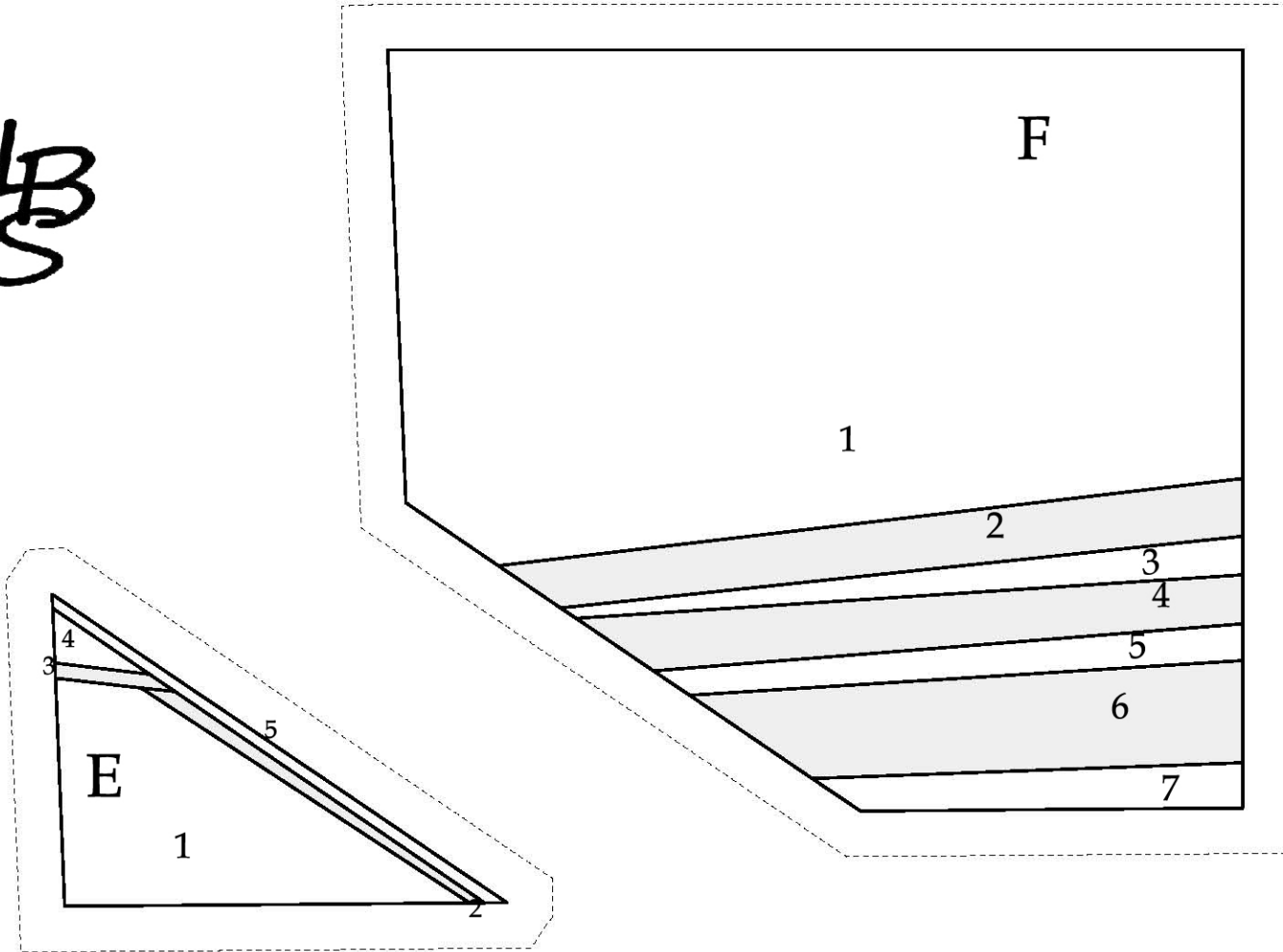


LB  
S

[liljabs@gmail.com](mailto:liljabs@gmail.com) -- <http://liljabs.com>

© 2014 Lilja Björk Sigurdórsdóttir (Liljabs)  
For personal and non-profit use only --Not for Reproduction or resale

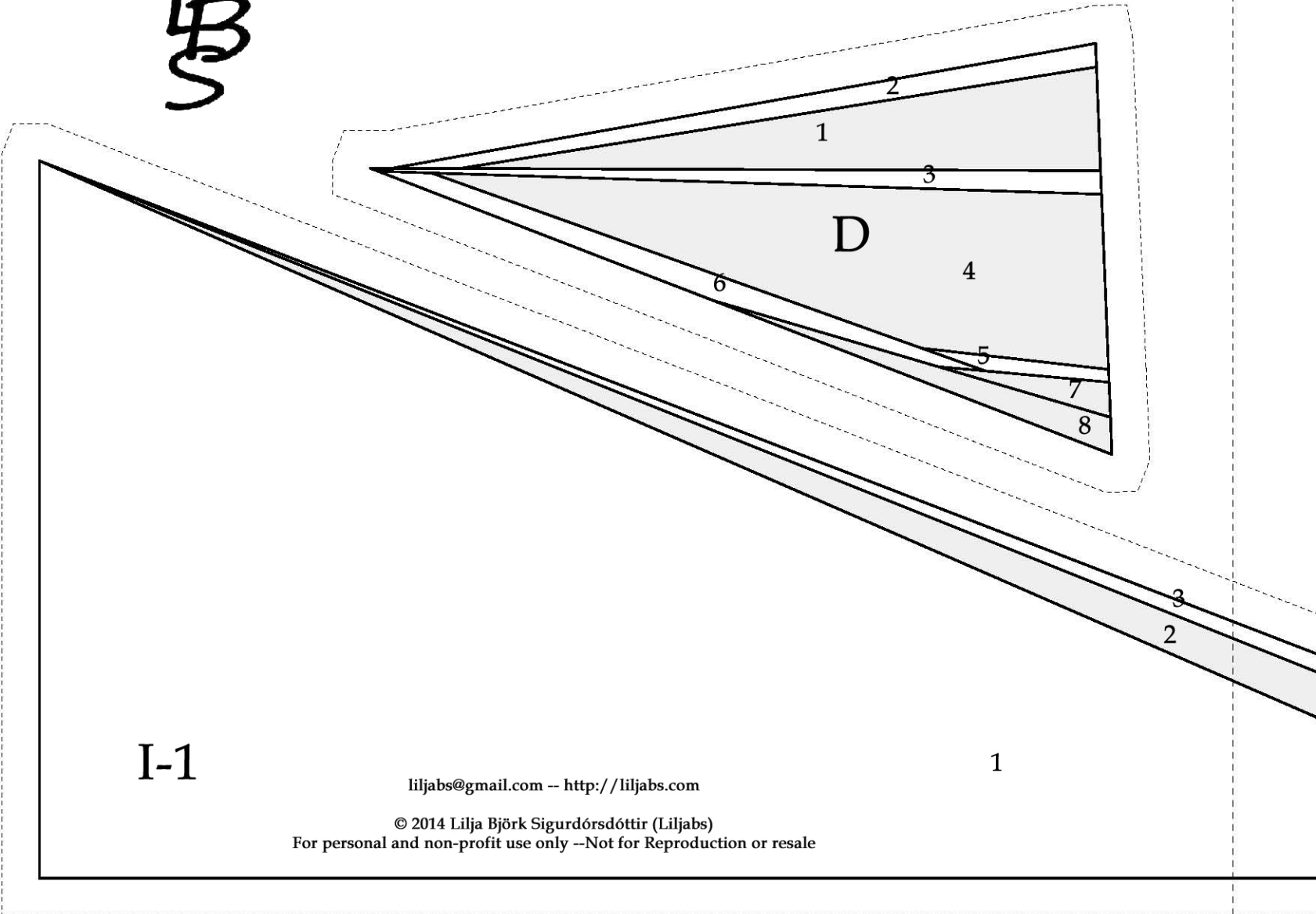
LB  
S



[liljabs@gmail.com](mailto:liljabs@gmail.com) -- <http://liljabs.com>

© 2014 Lilja Björk Sigurdórsdóttir (Liljabs)  
For personal and non-profit use only --Not for Reproduction or resale

LB  
S



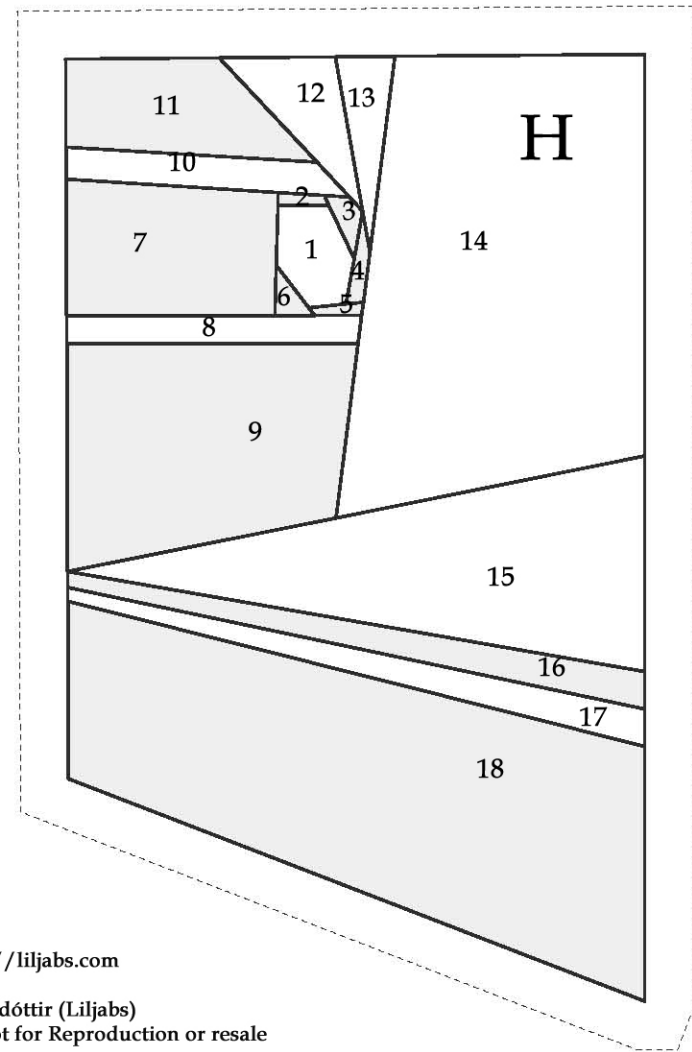
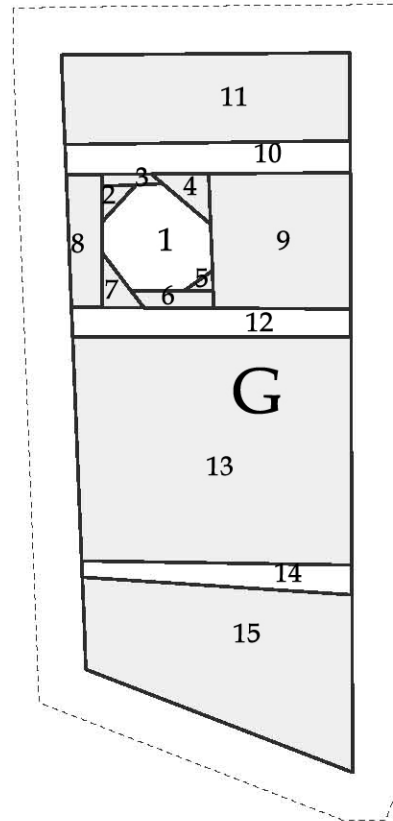
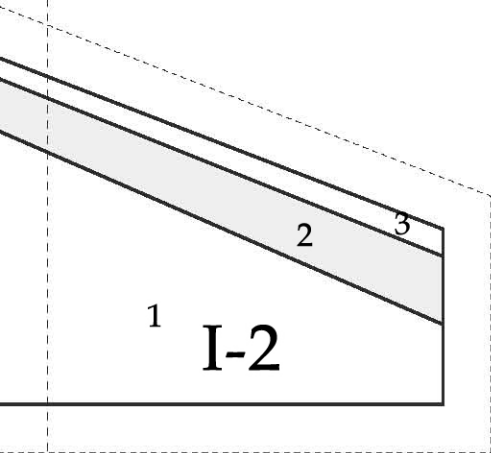
I-1

[liljabs@gmail.com](mailto:liljabs@gmail.com) -- <http://liljabs.com>

© 2014 Lilja Björk Sigurdórsdóttir (Liljabs)  
For personal and non-profit use only --Not for Reproduction or resale

1

LB  
S



[liljabs@gmail.com](mailto:liljabs@gmail.com) -- <http://liljabs.com>

© 2014 Lilja Björk Sigurdórsdóttir (Liljabs)  
For personal and non-profit use only --Not for Reproduction or resale