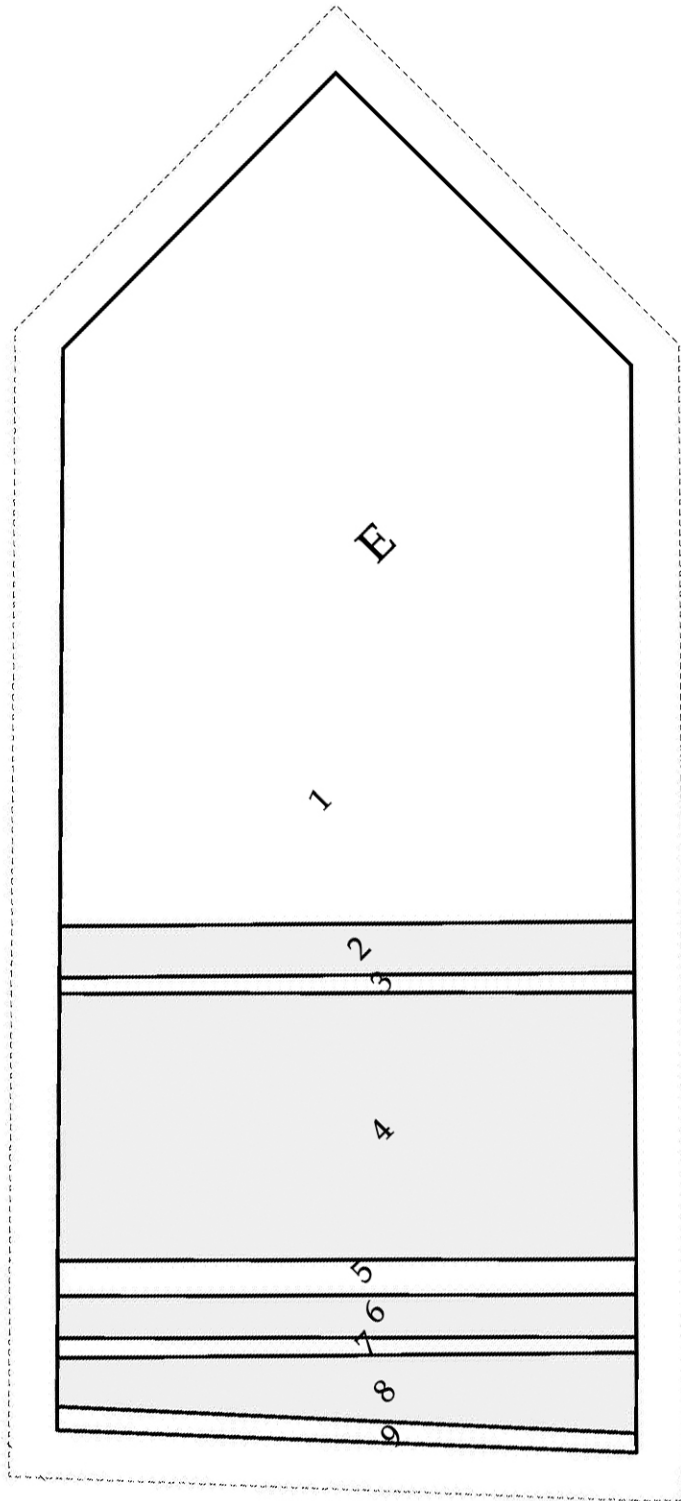


# District 8



This image shows reversed block

## Sewing Order

A>B>C

D>E

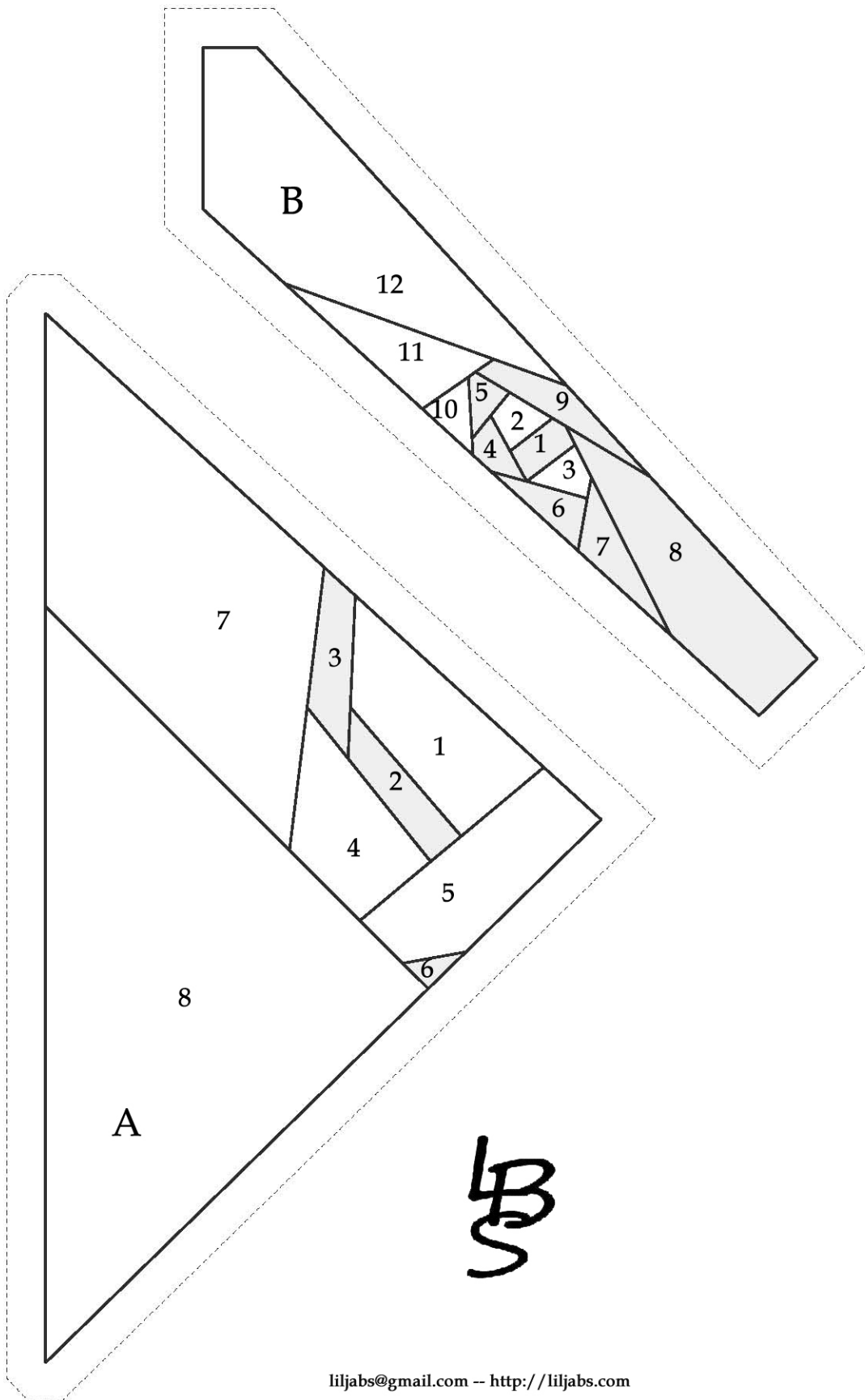
F>G

ABC>DE>FG

LB  
S

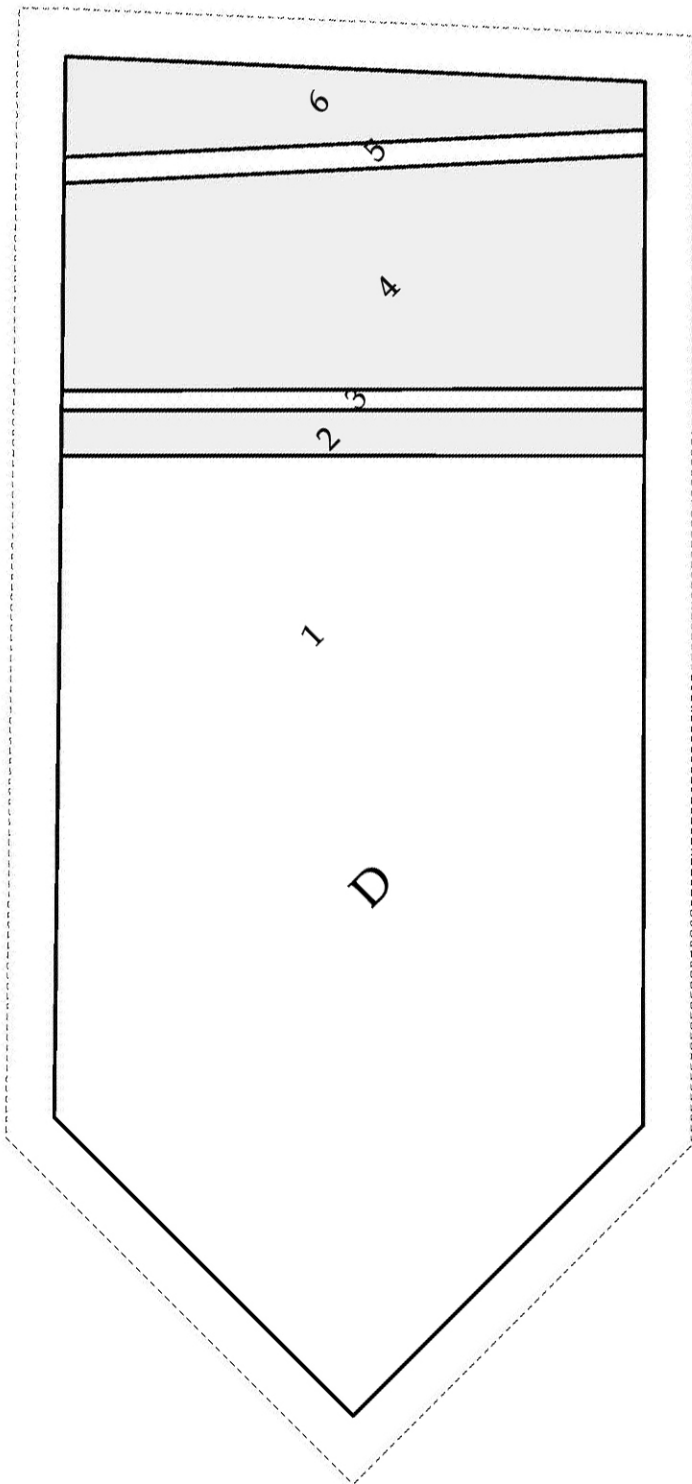
[liljabs@gmail.com](mailto:liljabs@gmail.com) -- <http://liljabs.com>

© 2014 Lilja Björk Sigurdórsdóttir (Liljabs)  
For personal and non-profit use only --Not for Reproduction or resale



[liljabs@gmail.com](mailto:liljabs@gmail.com) -- <http://liljabs.com>

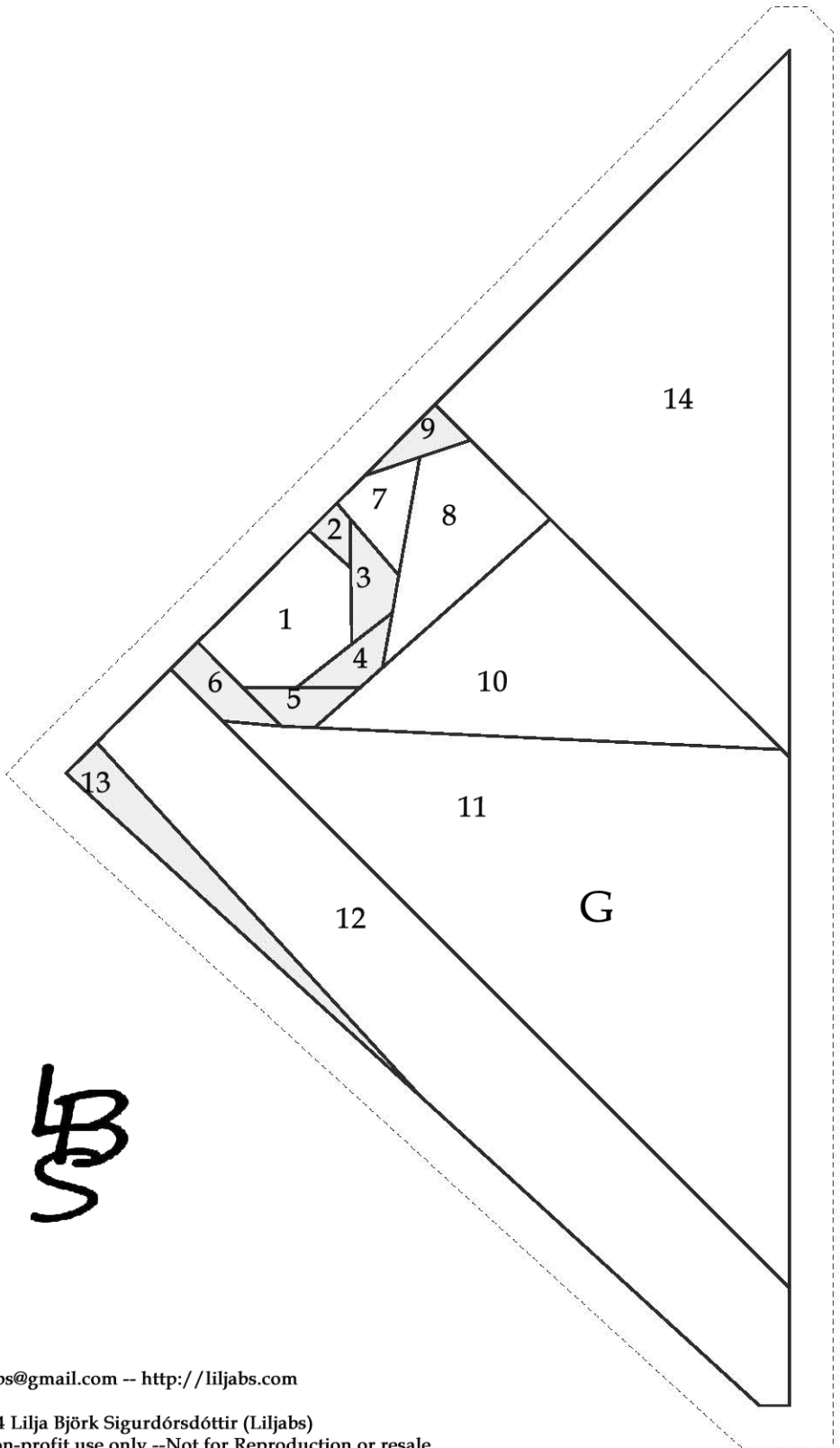
© 2014 Lilja Björk Sigurdórsdóttir (Liljabs)  
For personal and non-profit use only --Not for Reproduction or resale



LB

[liljabs@gmail.com](mailto:liljabs@gmail.com) -- <http://liljabs.com>

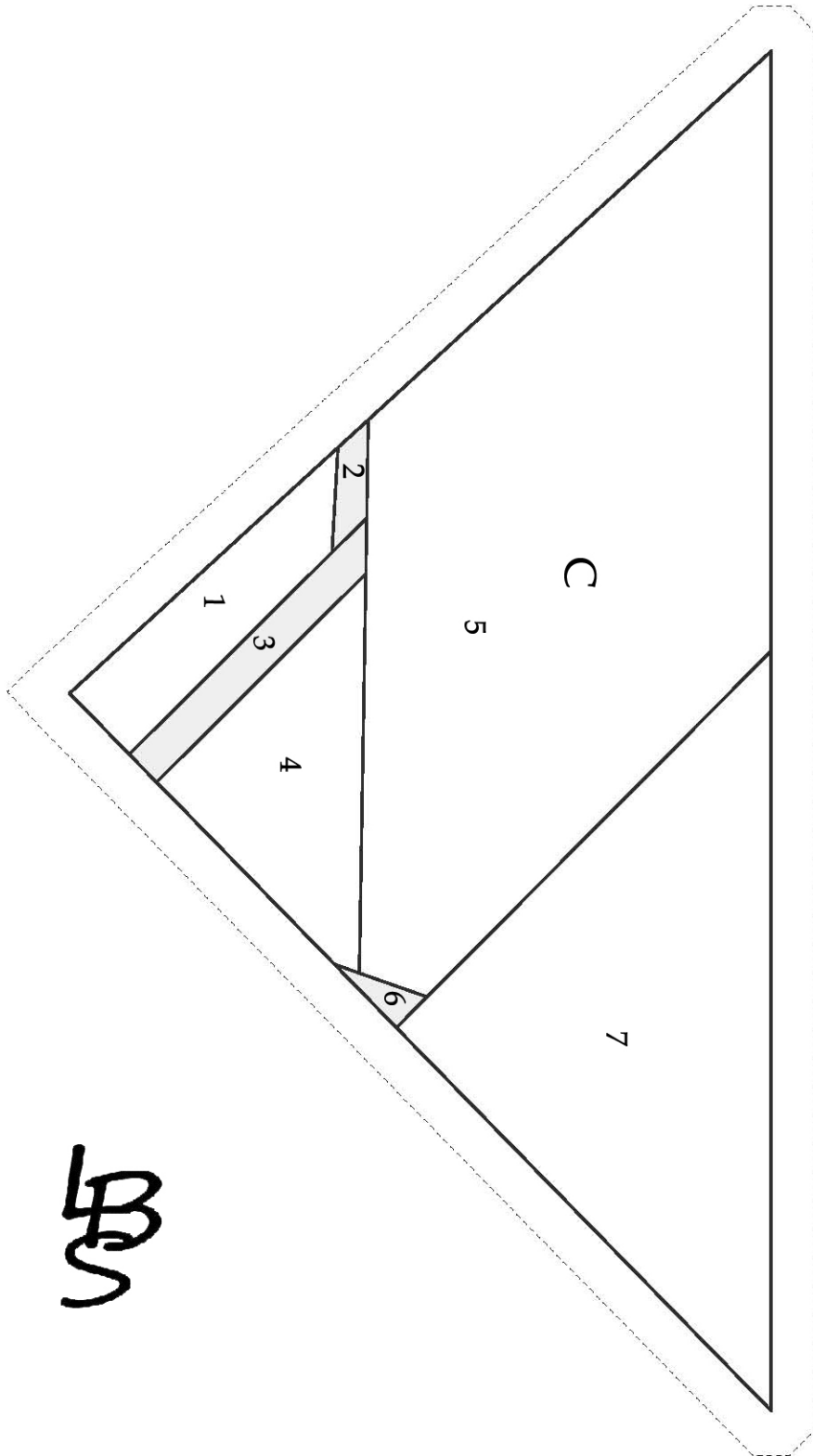
© 2014 Lilja Björk Sigurdórsdóttir (Liljabs)  
For personal and non-profit use only --Not for Reproduction or resale



LB  
S

[liljabs@gmail.com](mailto:liljabs@gmail.com) -- <http://liljabs.com>

© 2014 Lilja Björk Sigurdórsdóttir (Liljabs)  
For personal and non-profit use only --Not for Reproduction or resale

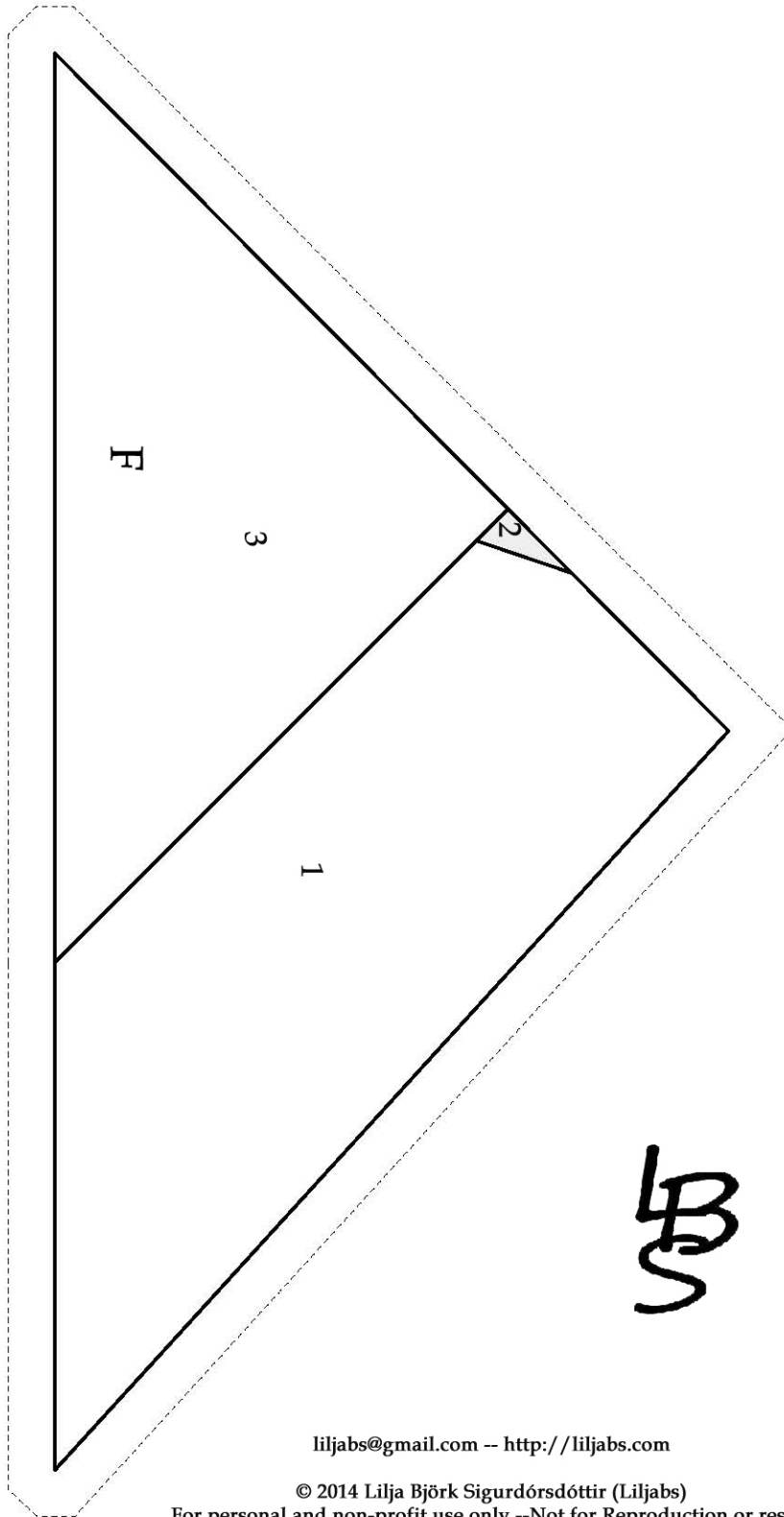


SSS

[liljabs@gmail.com](mailto:liljabs@gmail.com) -- <http://liljabs.com>

© 2014 Lilja Björk Sigurdórsdóttir (Liljabs)

For personal and non-profit use only --Not for Reproduction or resale



[liljabs@gmail.com](mailto:liljabs@gmail.com) -- <http://liljabs.com>

© 2014 Lilja Björk Sigurdórsdóttir (Liljabs)  
For personal and non-profit use only --Not for Reproduction or resale